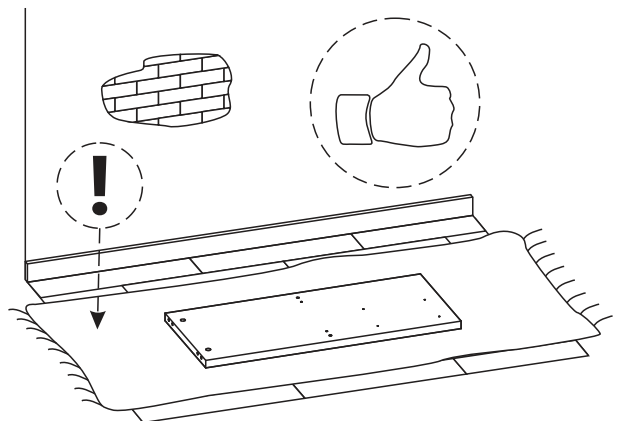
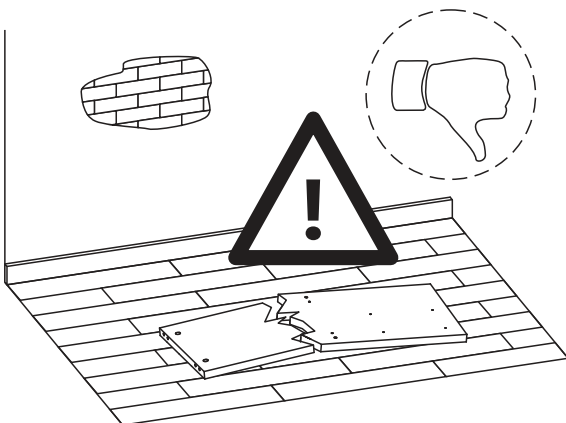
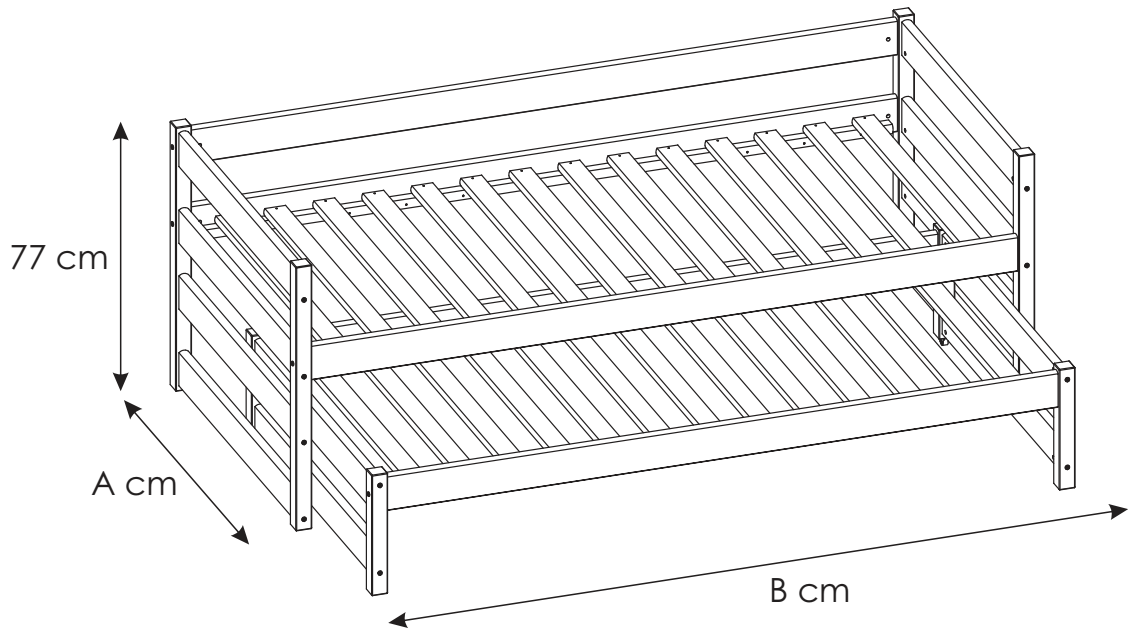
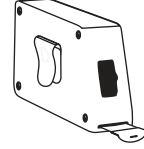
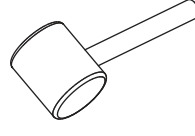
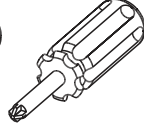
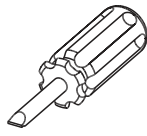
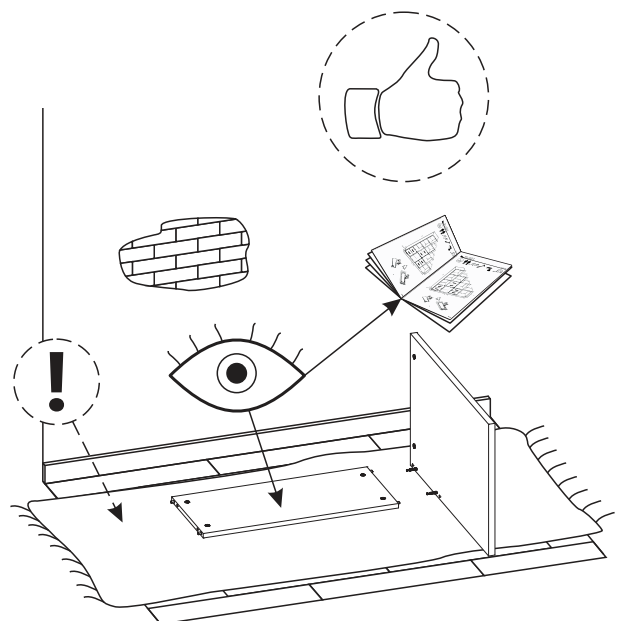
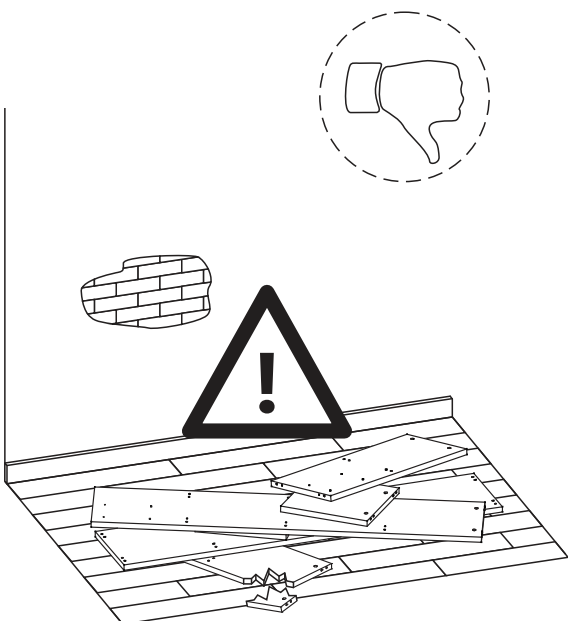
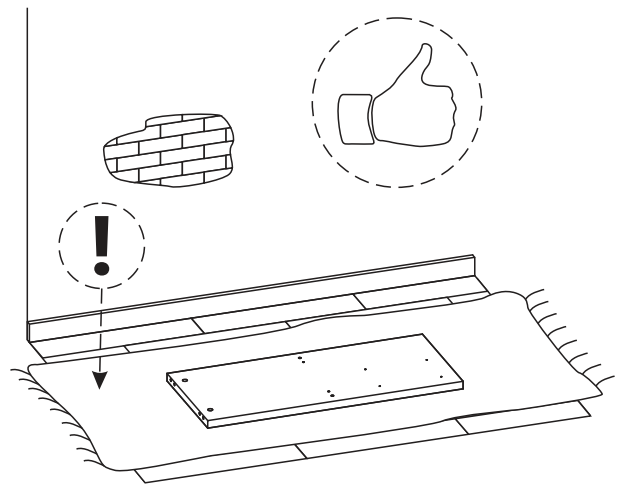
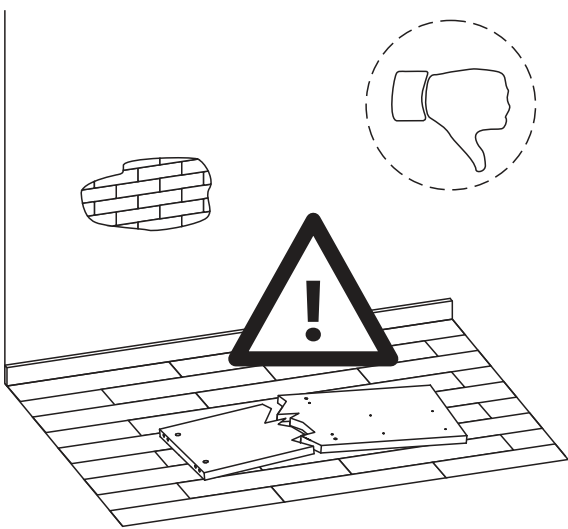
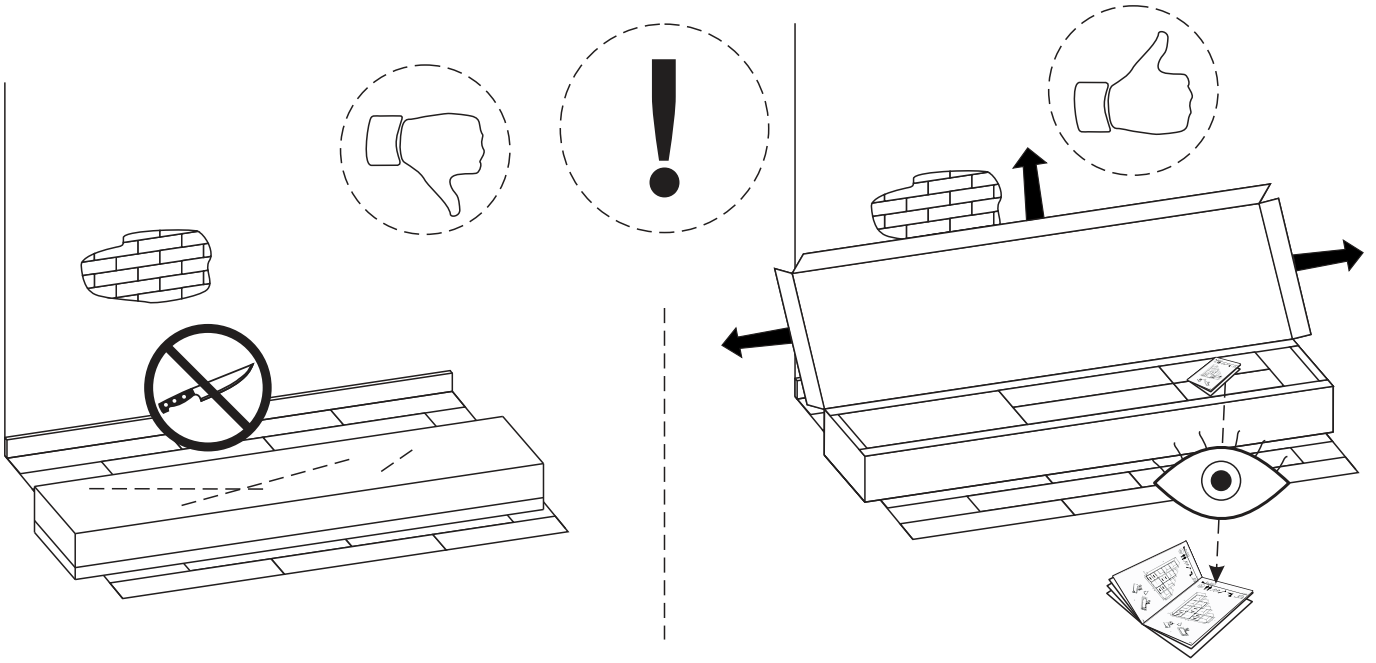


# TYMON

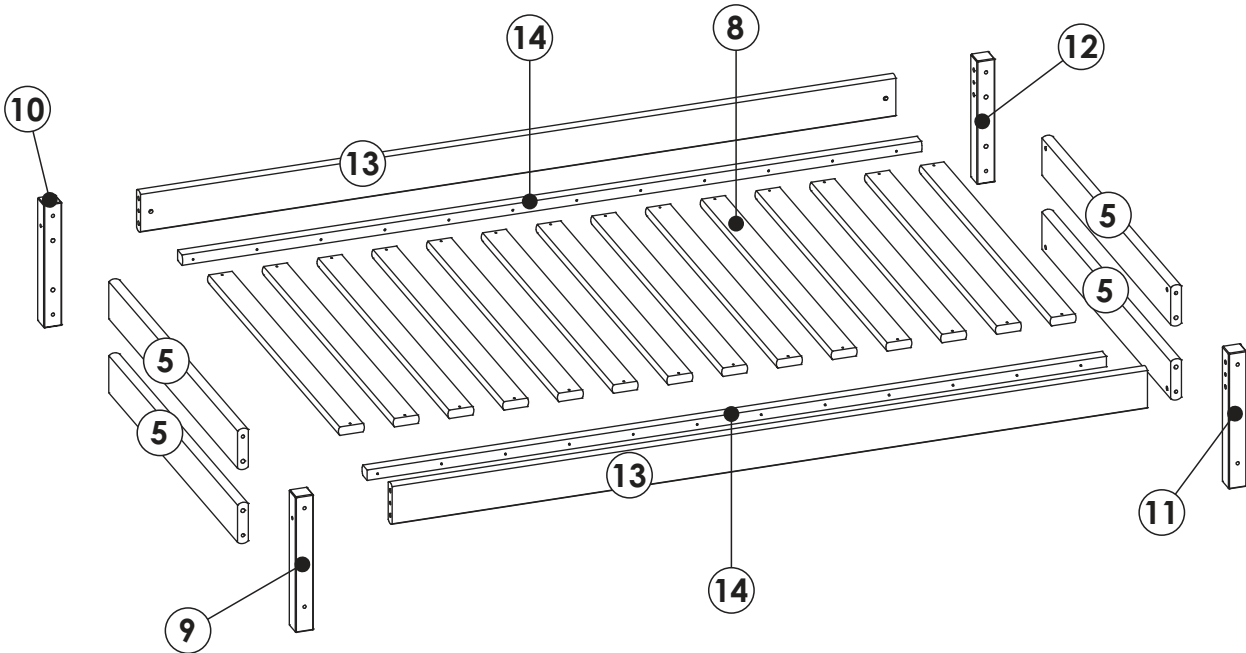
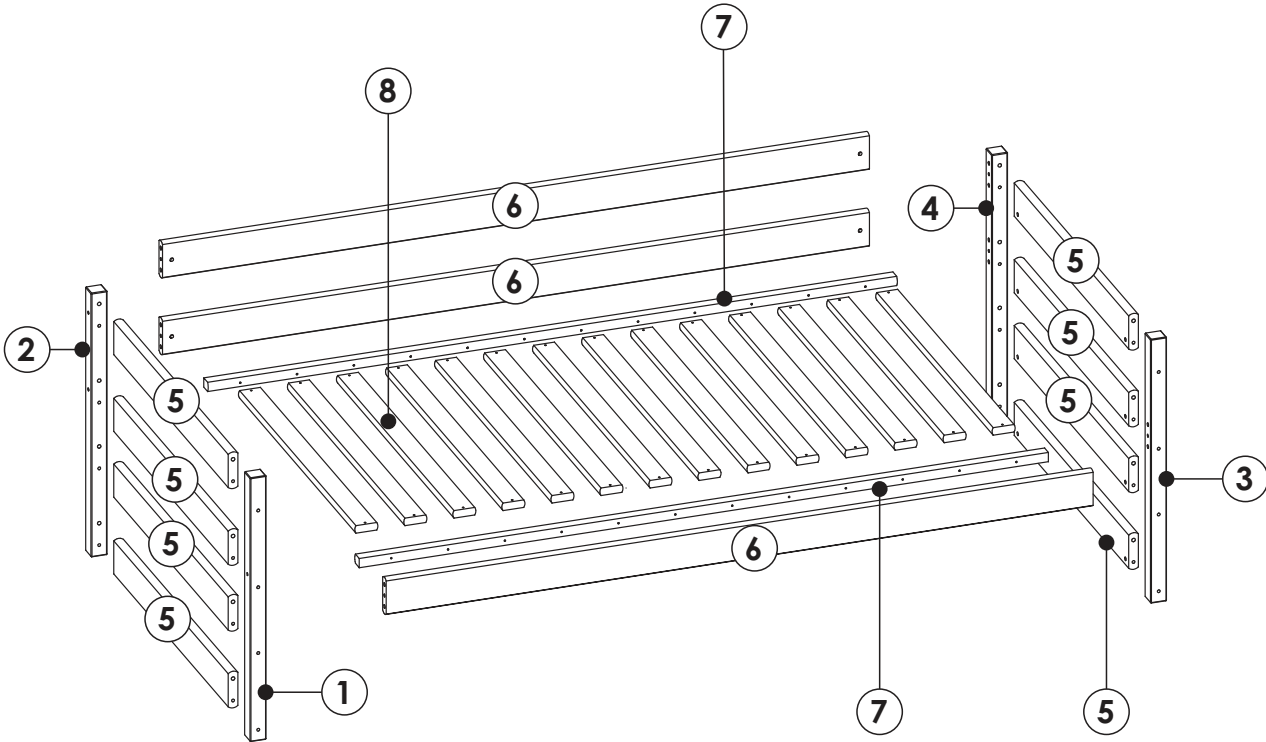
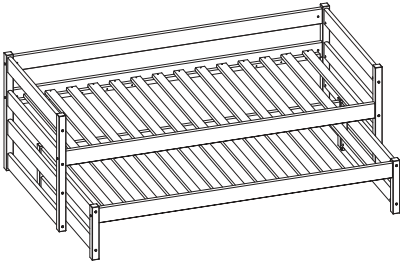


120 min





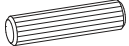
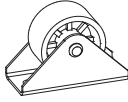




# TYMON




# TYMON

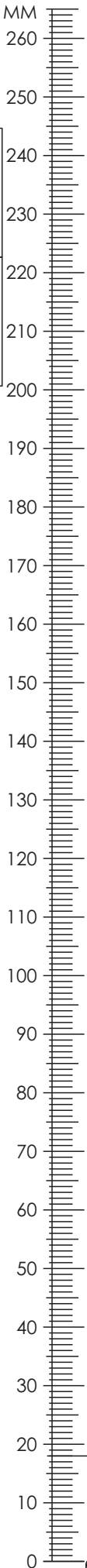
①	770	45	45	x1	NTPL_04030
②	770	45	45	x1	NTTL_04050
③	770	45	45	x1	NTPP_04040
④	770	45	45	x1	NTPP_04060
⑤	585, 685, 785, 885, 985	107	27	x12	DST_00120
⑥	1190, 1390, 1590, 1690, 1790, 1890, 1990	107	27	x3	DN_00110
⑦	1140, 1340, 1540, 1640, 1740, 1840, 1940	35	27	x2	LS_00160
⑧	900	65	22	x27	DS_00170
⑨	352	45	45	x1	NWPL_01060
⑩	320	45	45	x1	NWTL_01080
⑪	352	45	45	x1	NWPP_01070
⑫	320	45	45	x1	NWTP_01090
⑬	1090, 1290, 1490, 1590, 1690, 1790, 1890	107	27	x2	DN_00110
⑭	1040, 1240, 1440, 1540, 1640, 1740, 1840	35	27	x2	LS_00160

# TYMON

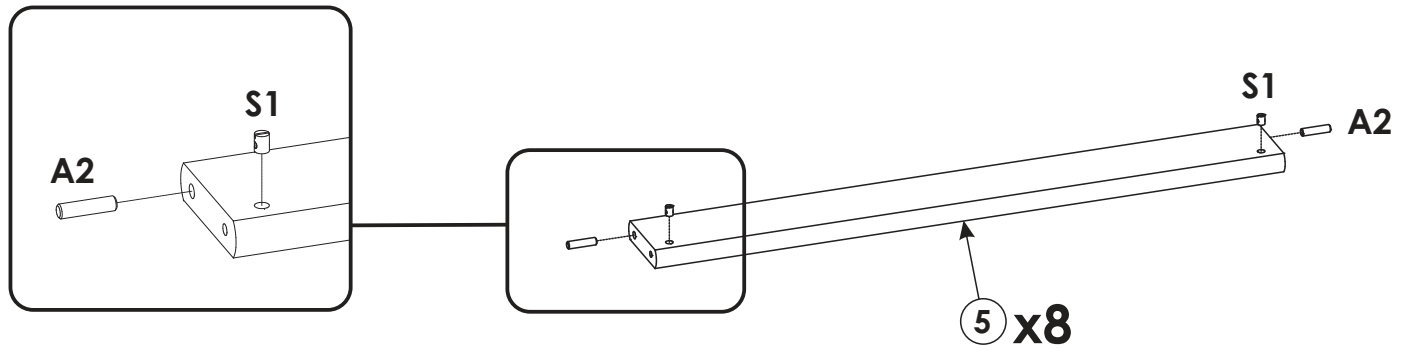
<p><b>A2</b> akc_0002</p>  <p>10 x 40 mm</p> <p style="text-align: right;"><b>x44</b></p>	<p><b>J1</b> akc_0016</p>  <p style="text-align: right;"><b>x2</b></p>	<p><b>M</b> akc_0005</p>  <p style="text-align: right;"><b>x1</b></p>
<p><b>N1</b> akc_0006</p>  <p>6 x 80 mm</p> <p style="text-align: right;"><b>x34</b></p>	<p><b>S1</b> akc_0008</p>  <p>10 x 16 mm</p> <p style="text-align: right;"><b>x34</b></p>	<p><b>W1</b> akc_0009</p>  <p>3,5 x 40 mm</p> <p style="text-align: right;"><b>x60</b></p>

----- **OPTION** -----

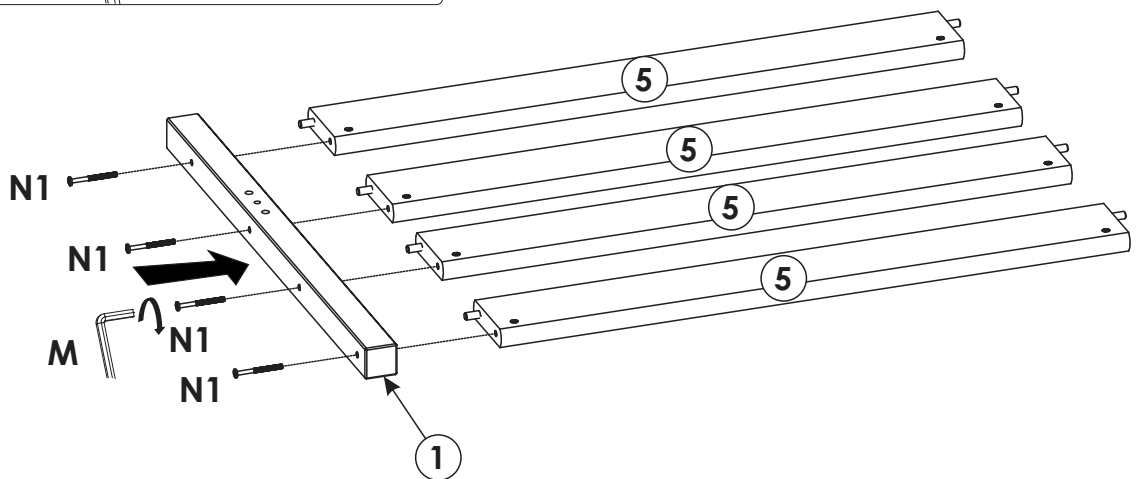
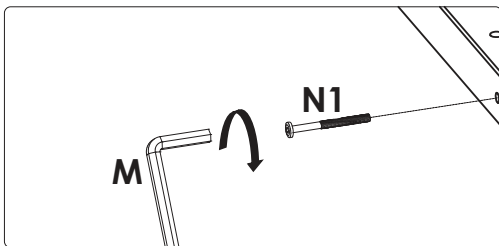
<p><b>W3</b> akc_0011</p>  <p>40 &lt; x &lt; 48</p> <p>4 x 50 mm</p>
--



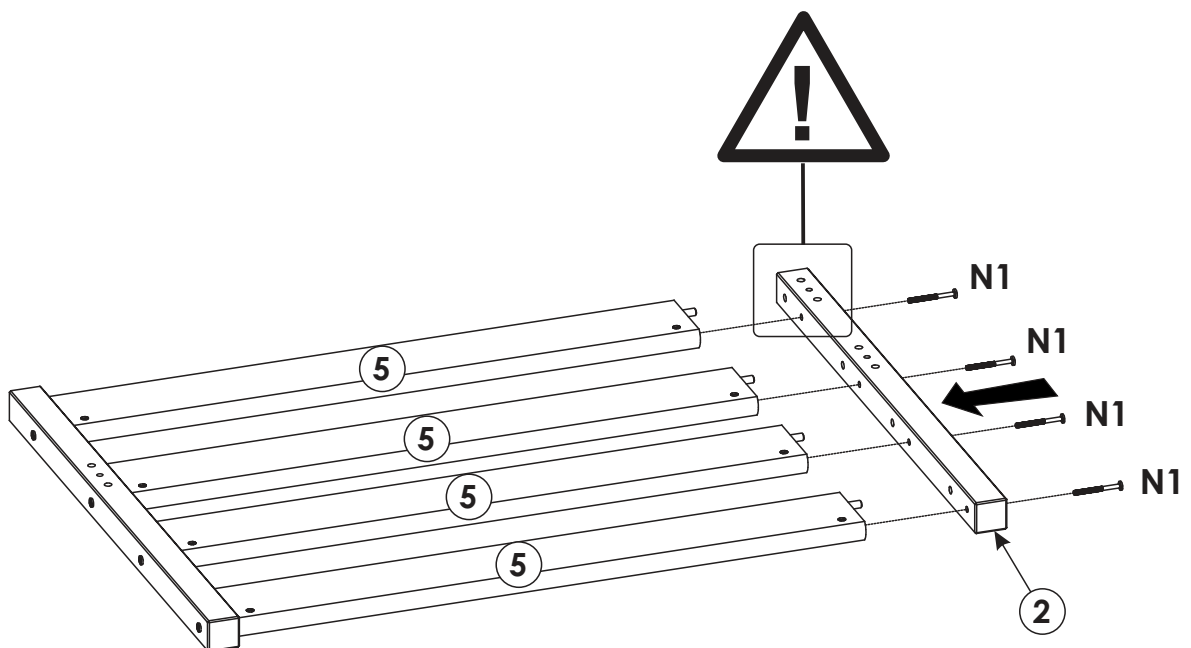
# 1.



# 2.

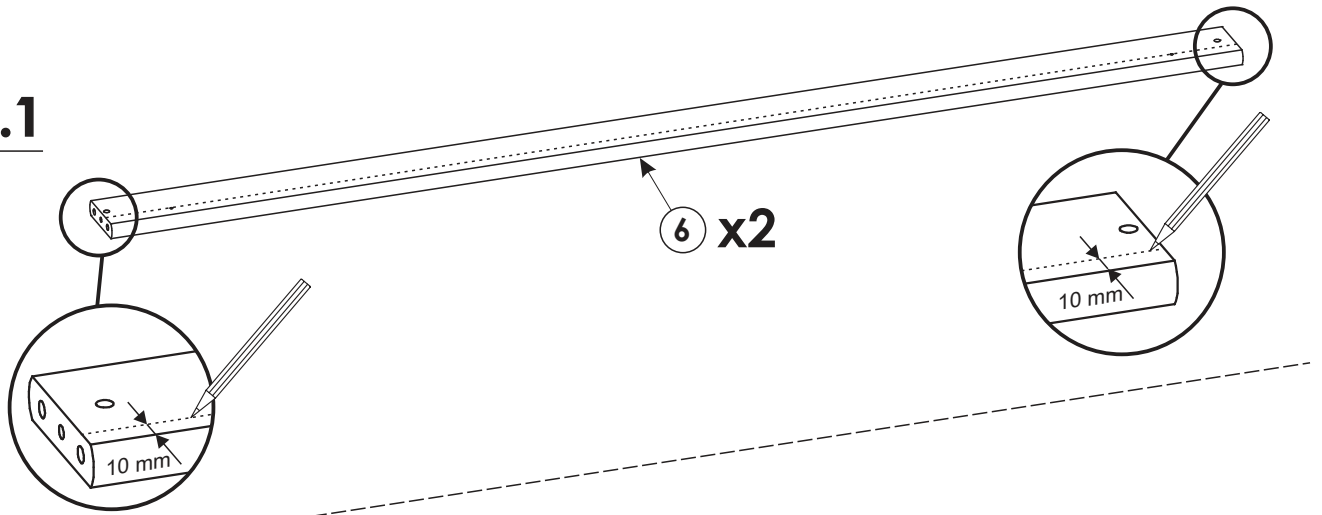


# 3.

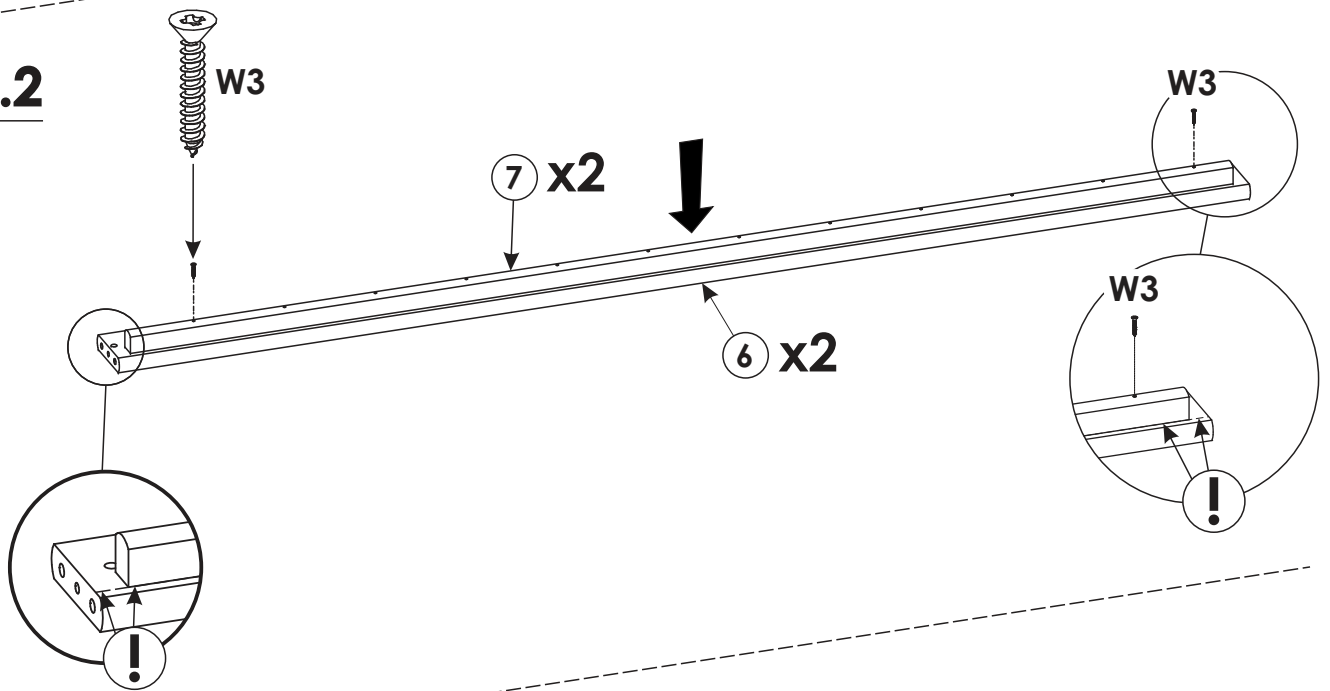


# 4.

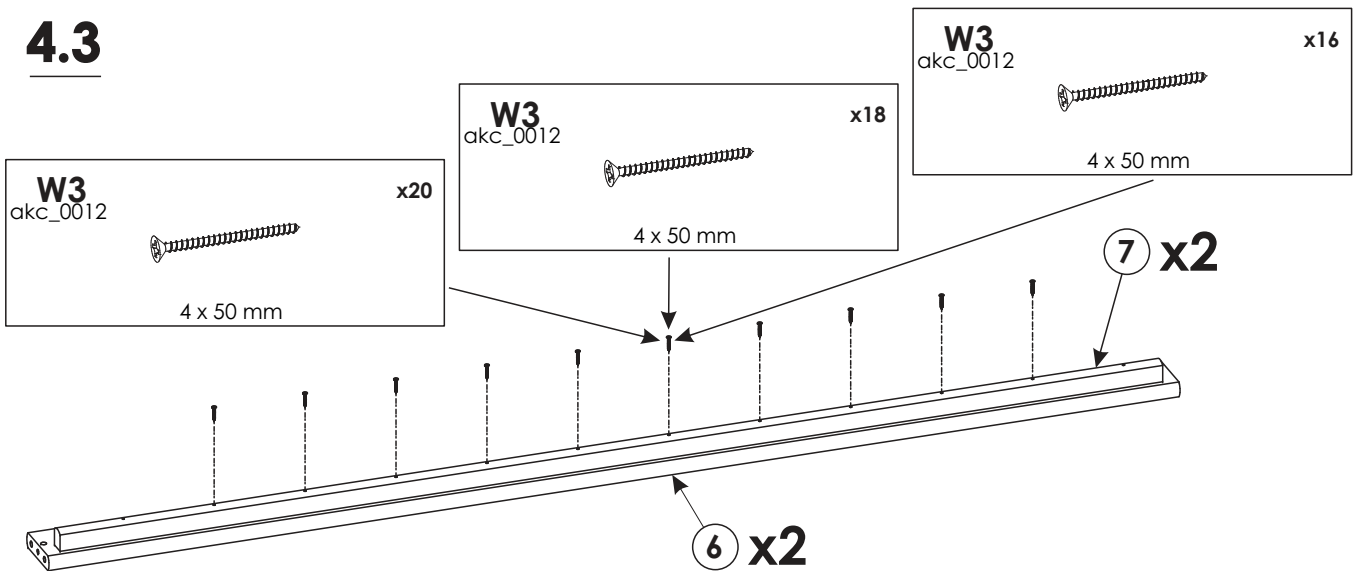
## 4.1



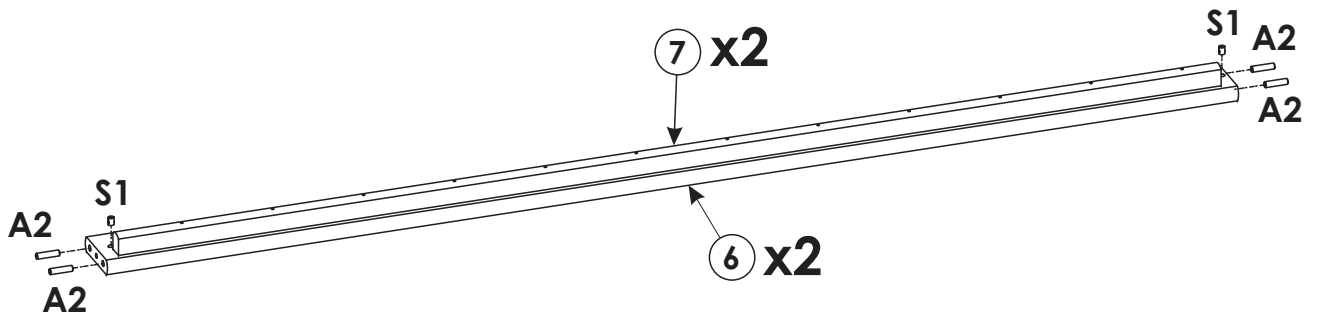
## 4.2



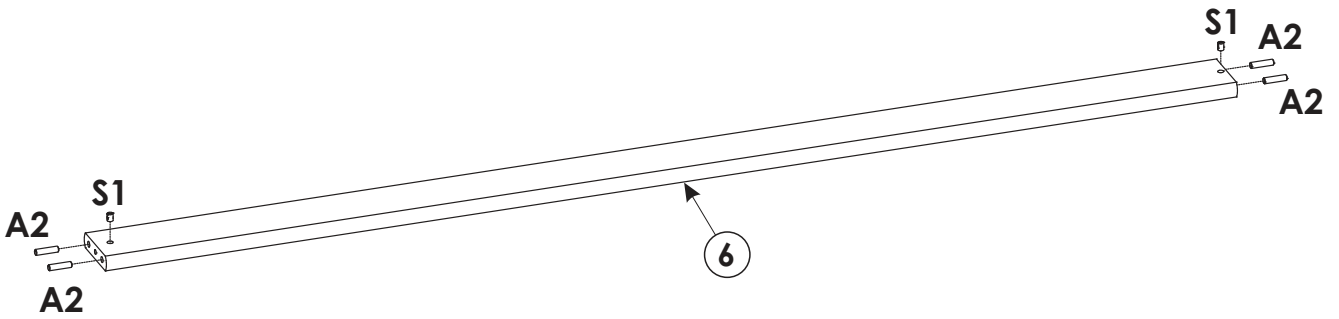
## 4.3



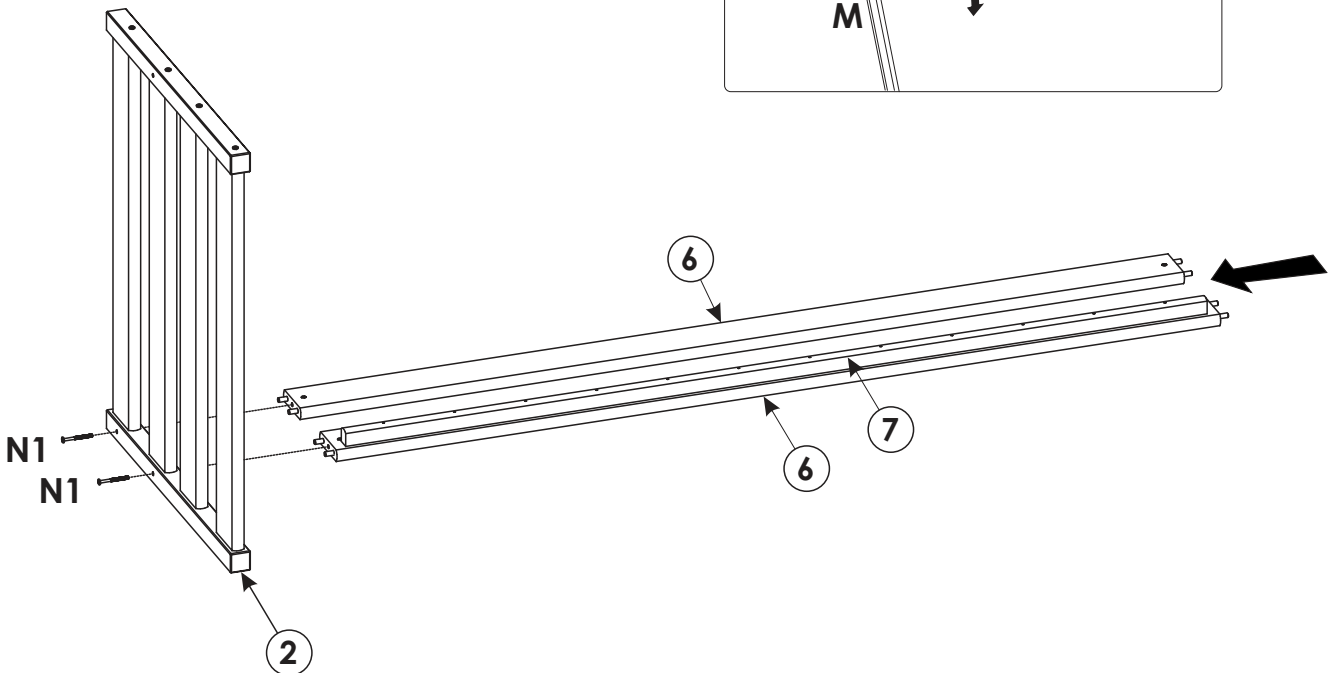
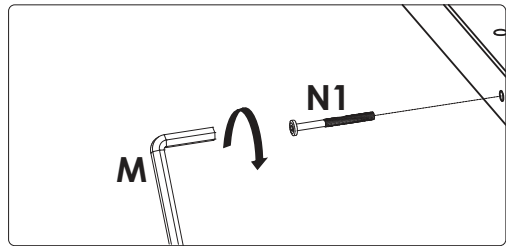
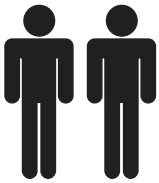
# 4.4



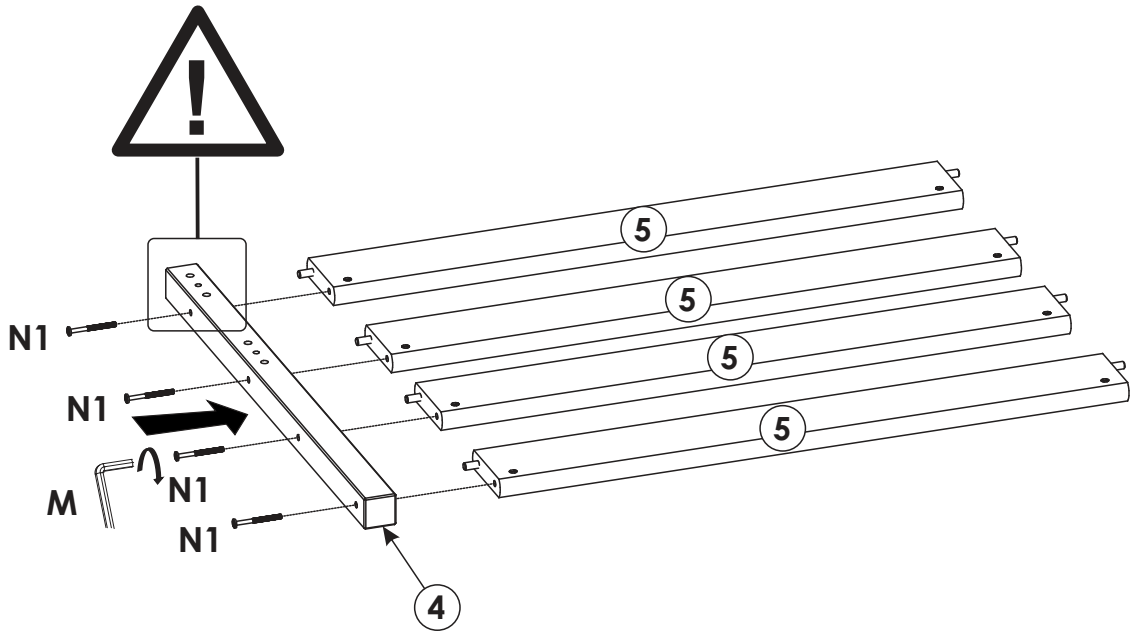
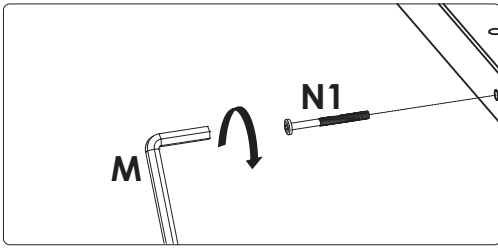
# 5.



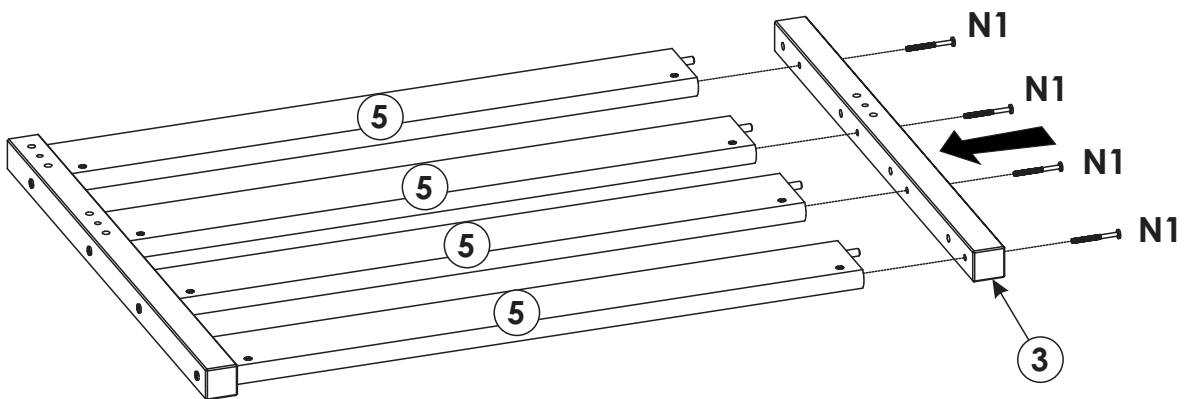
# 6.



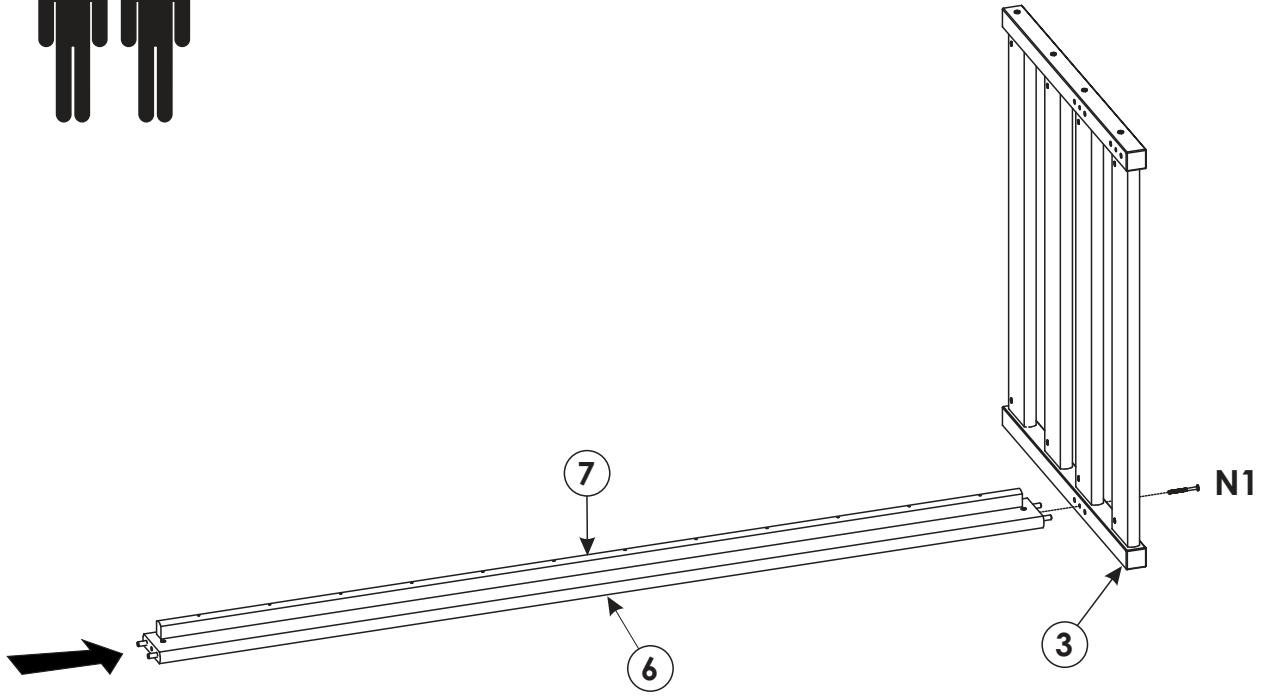
7.



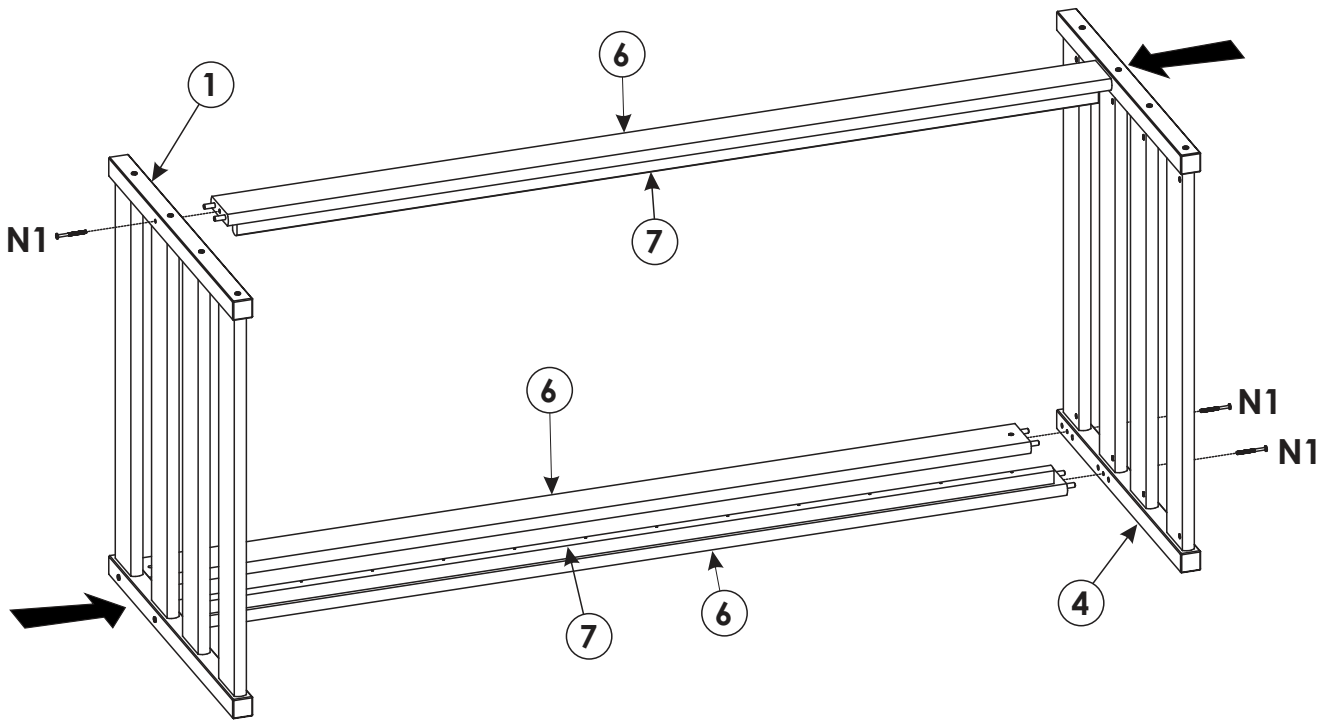
8.



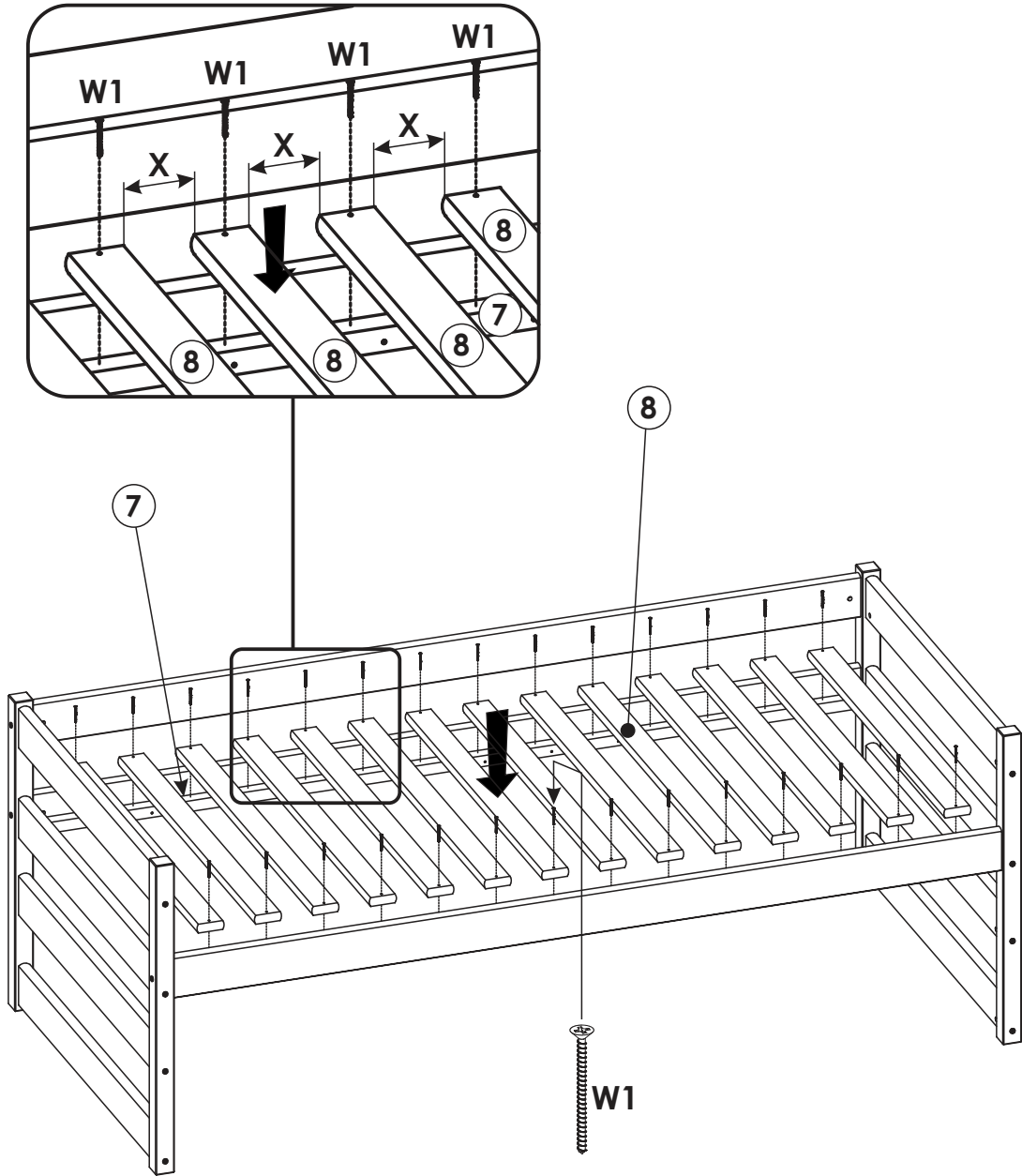
9.



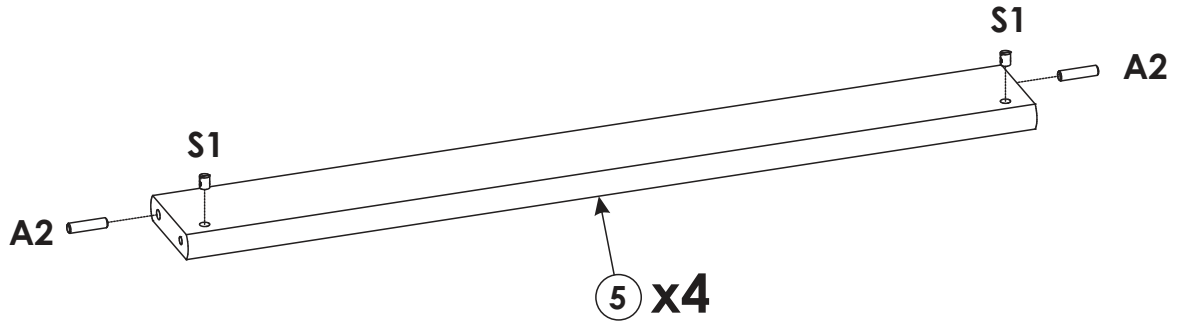
10.



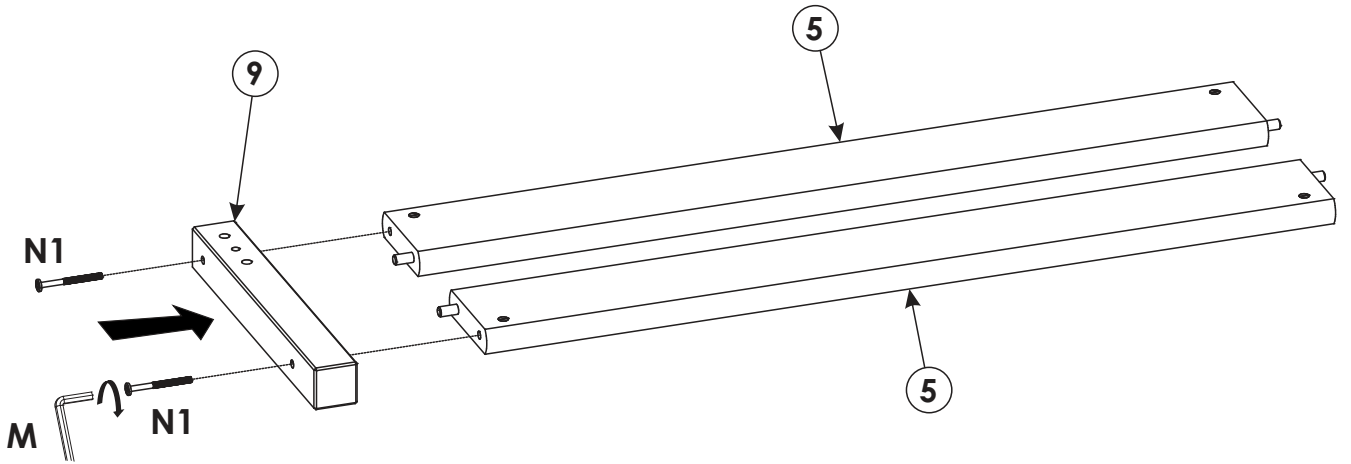
# 11.



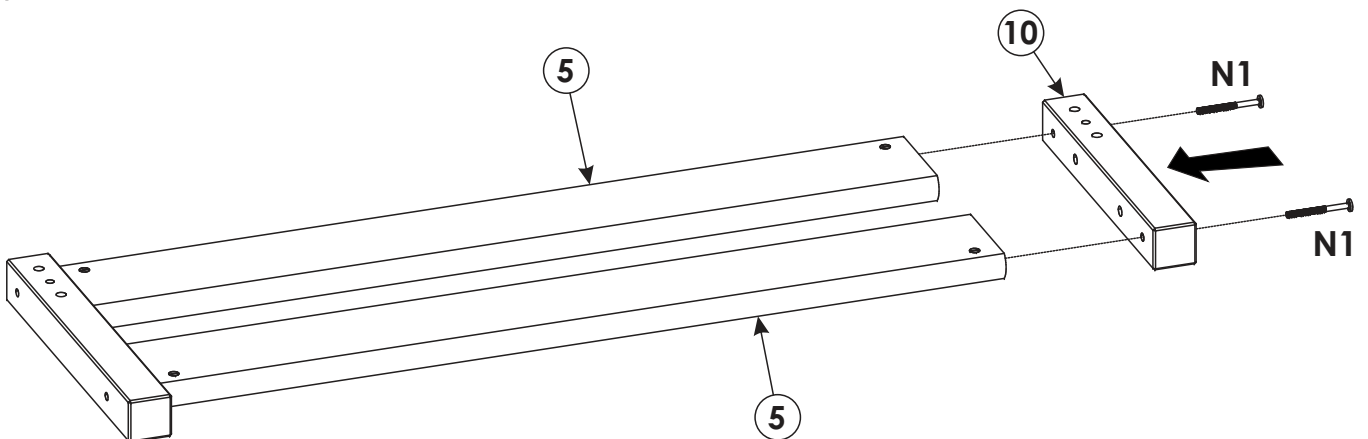
# 12.



# 13.

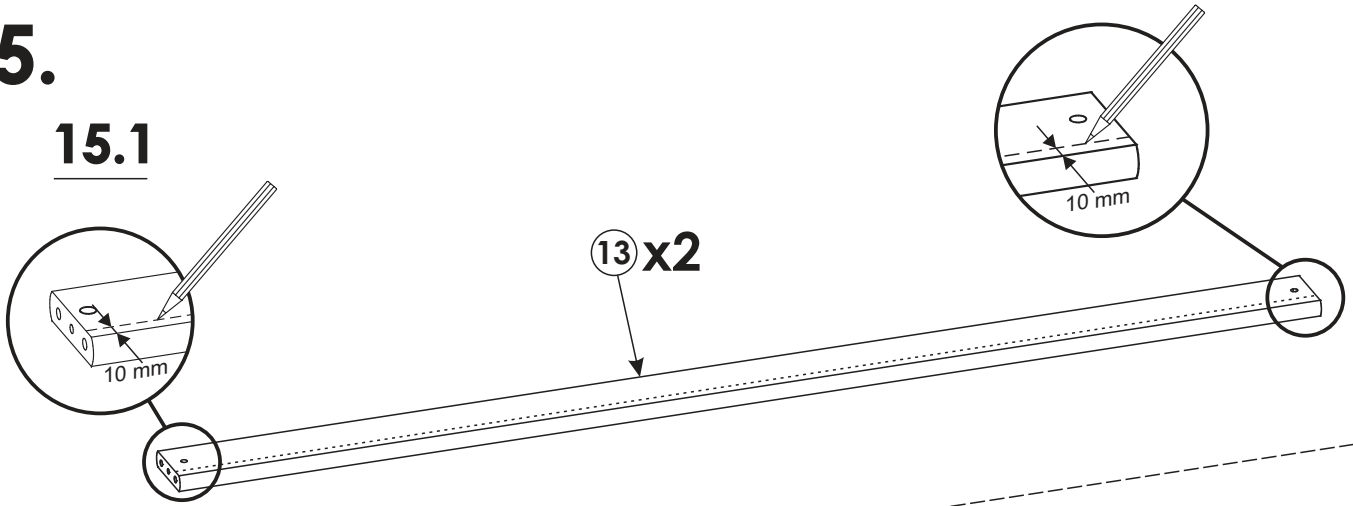


# 14.

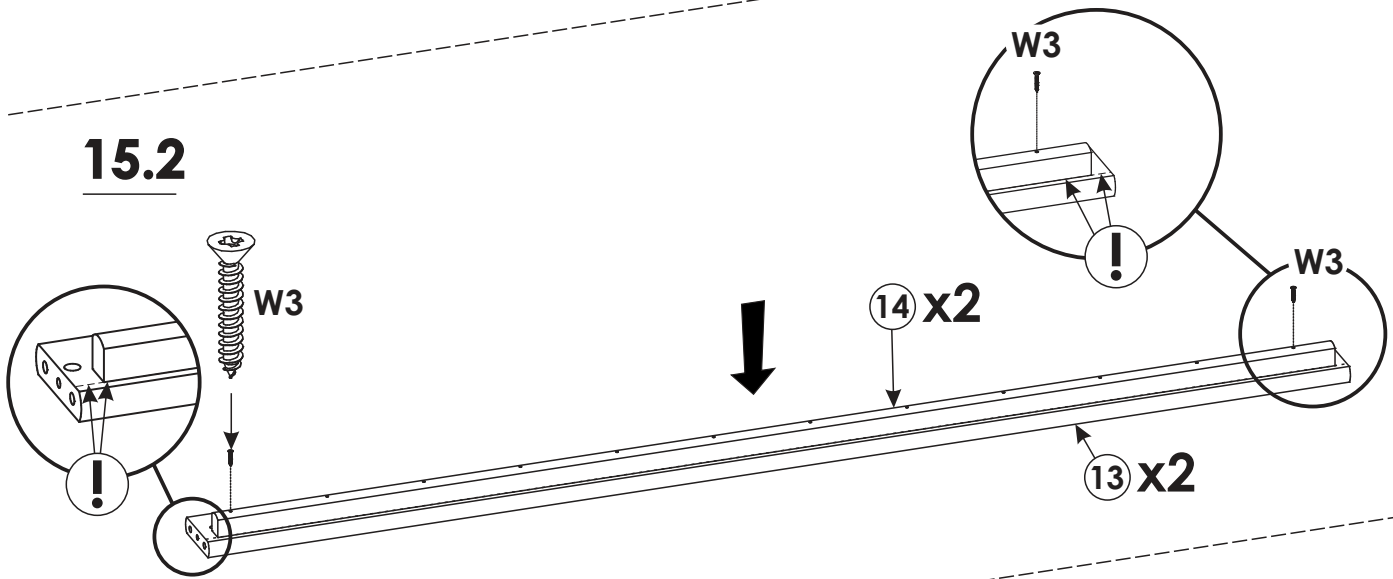


# 15.

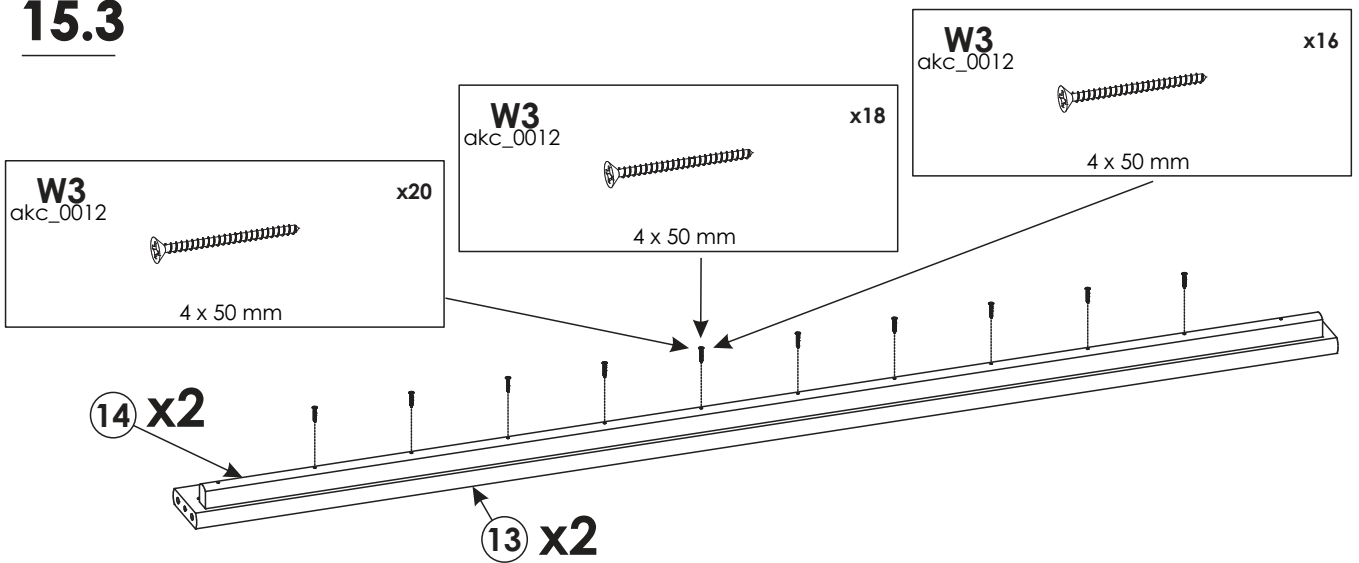
## 15.1



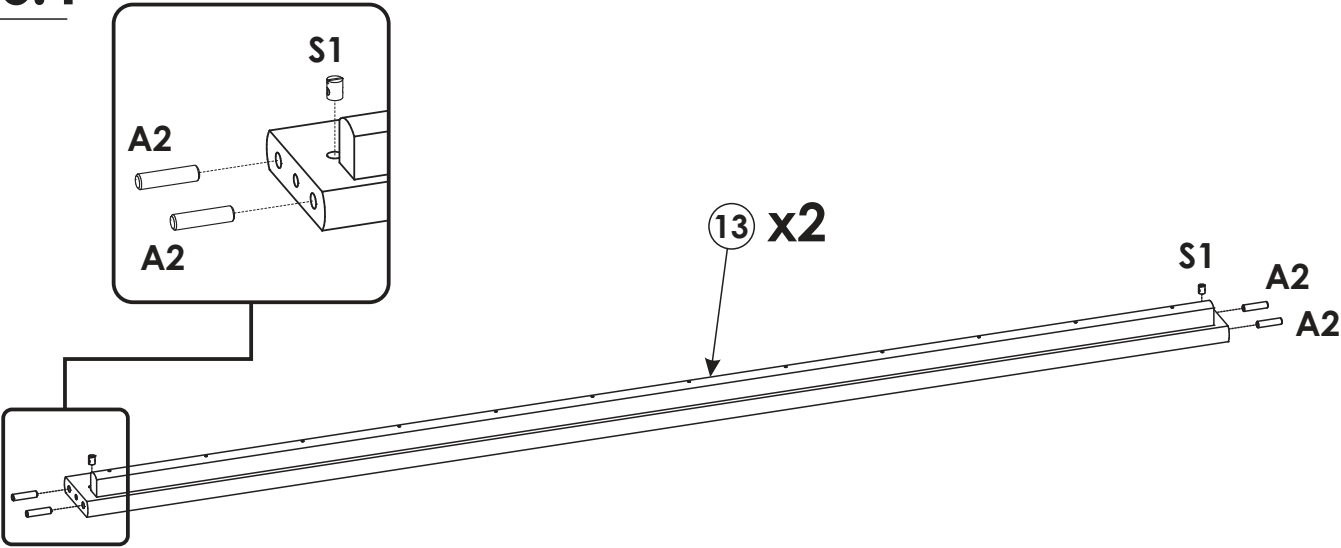
## 15.2



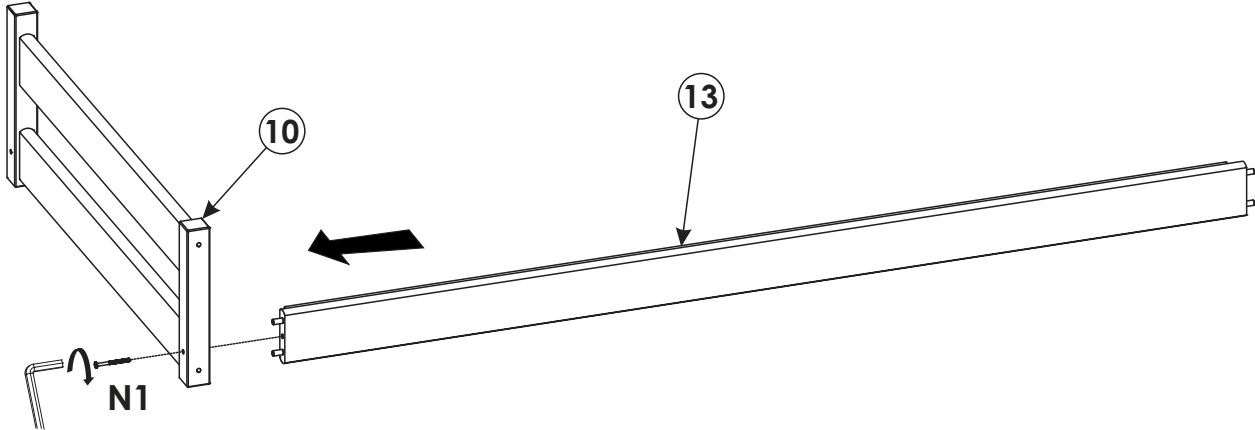
## 15.3



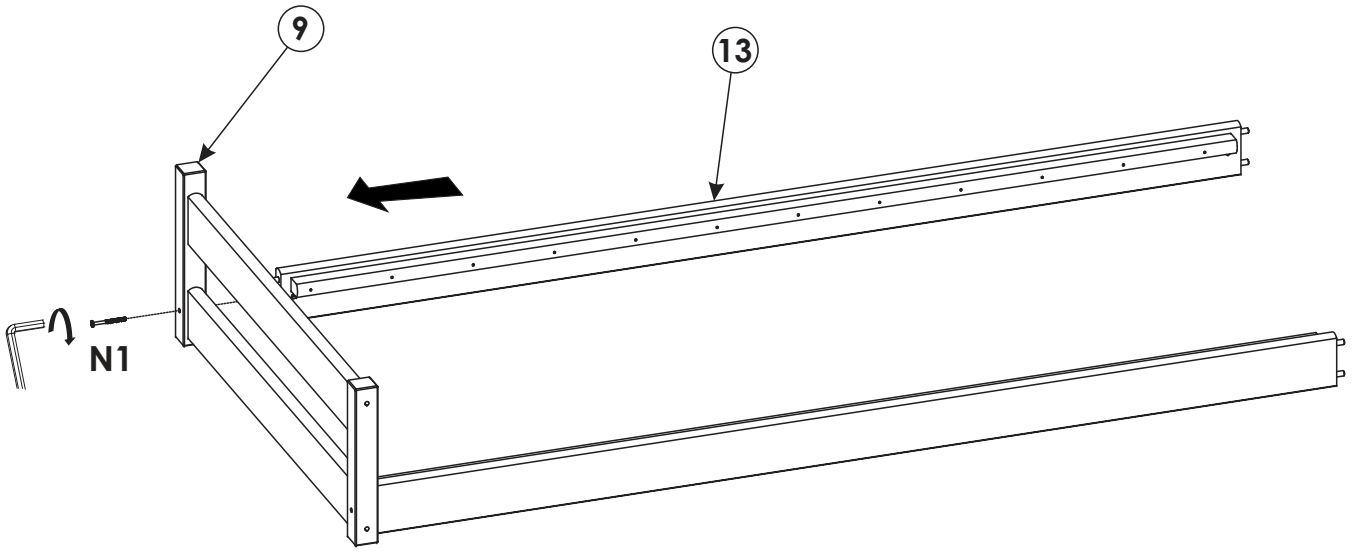
**15.4**



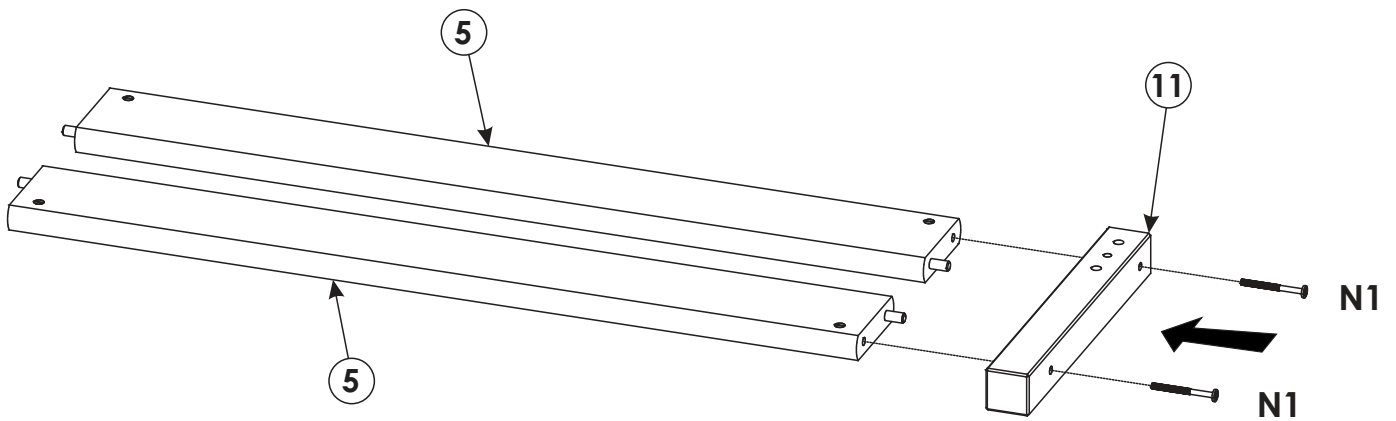
**16.**



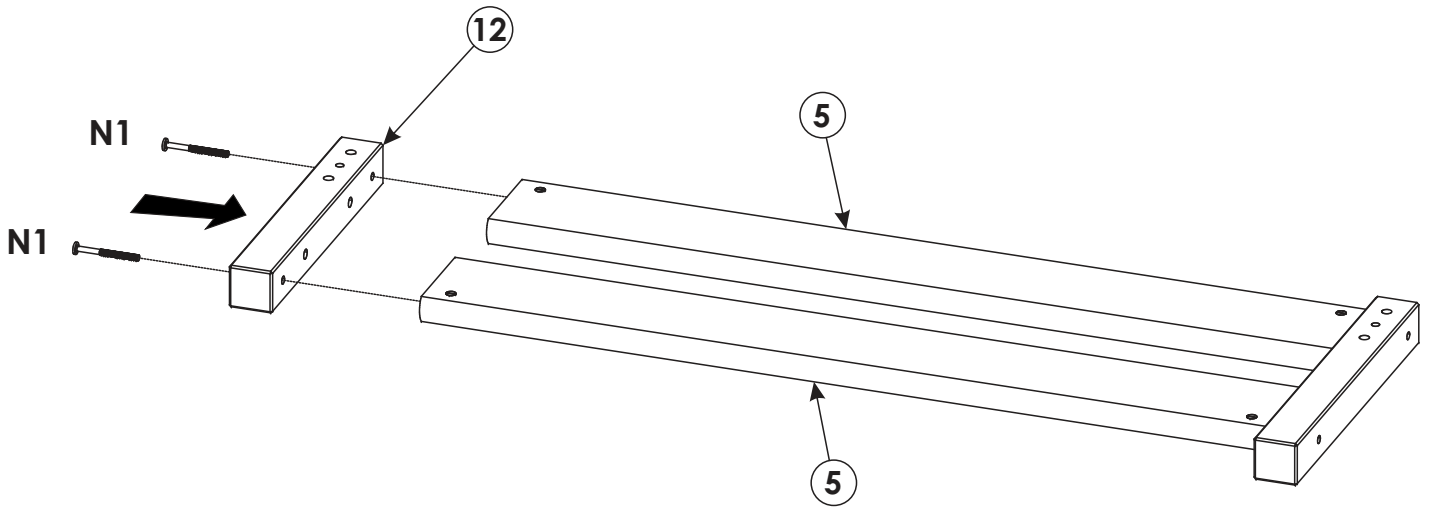
# 17.



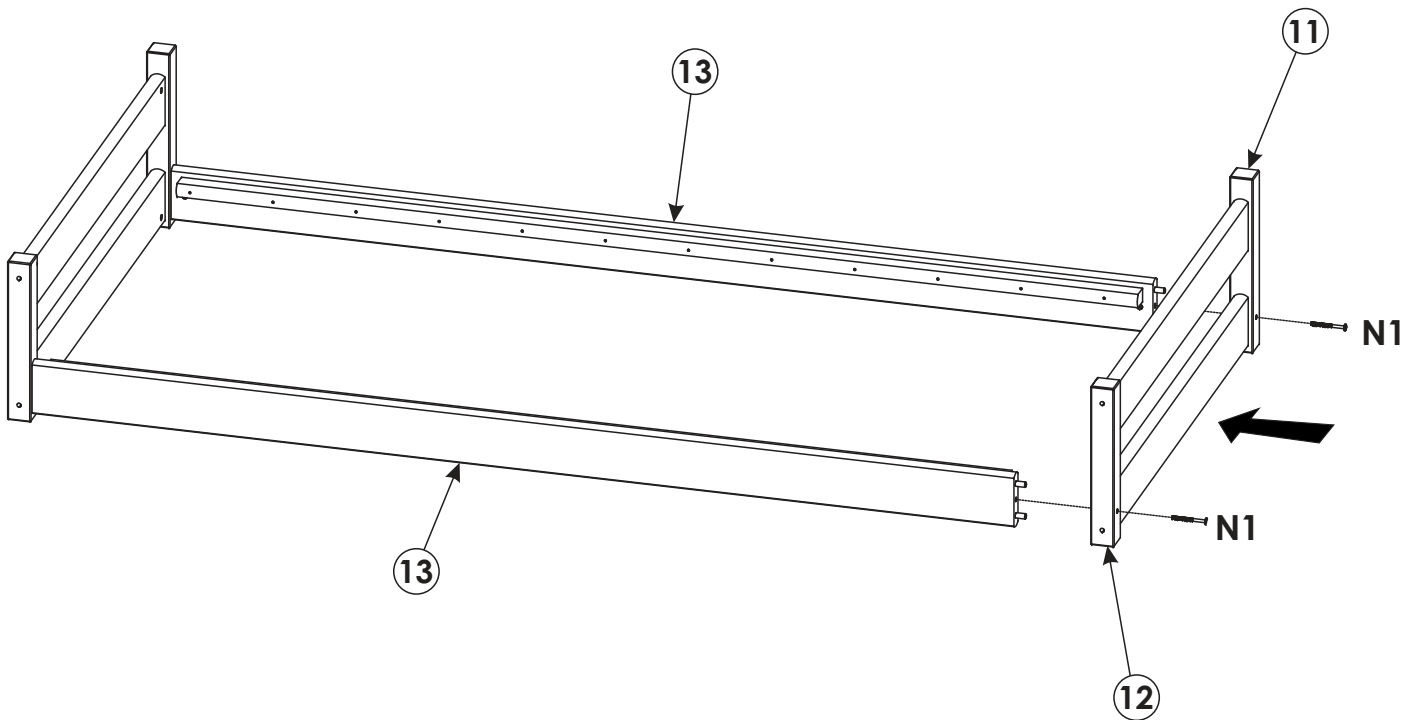
# 18.



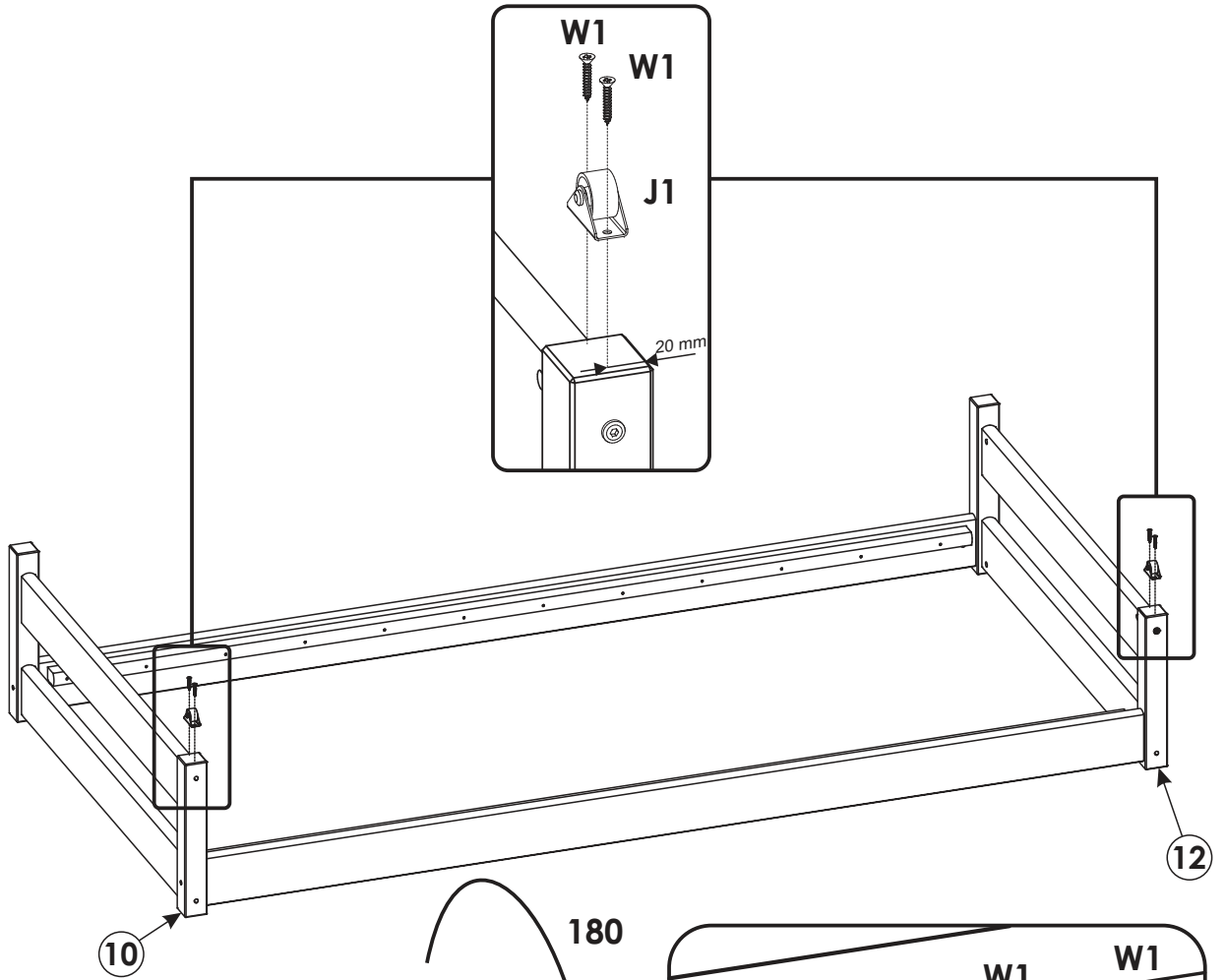
# 19.



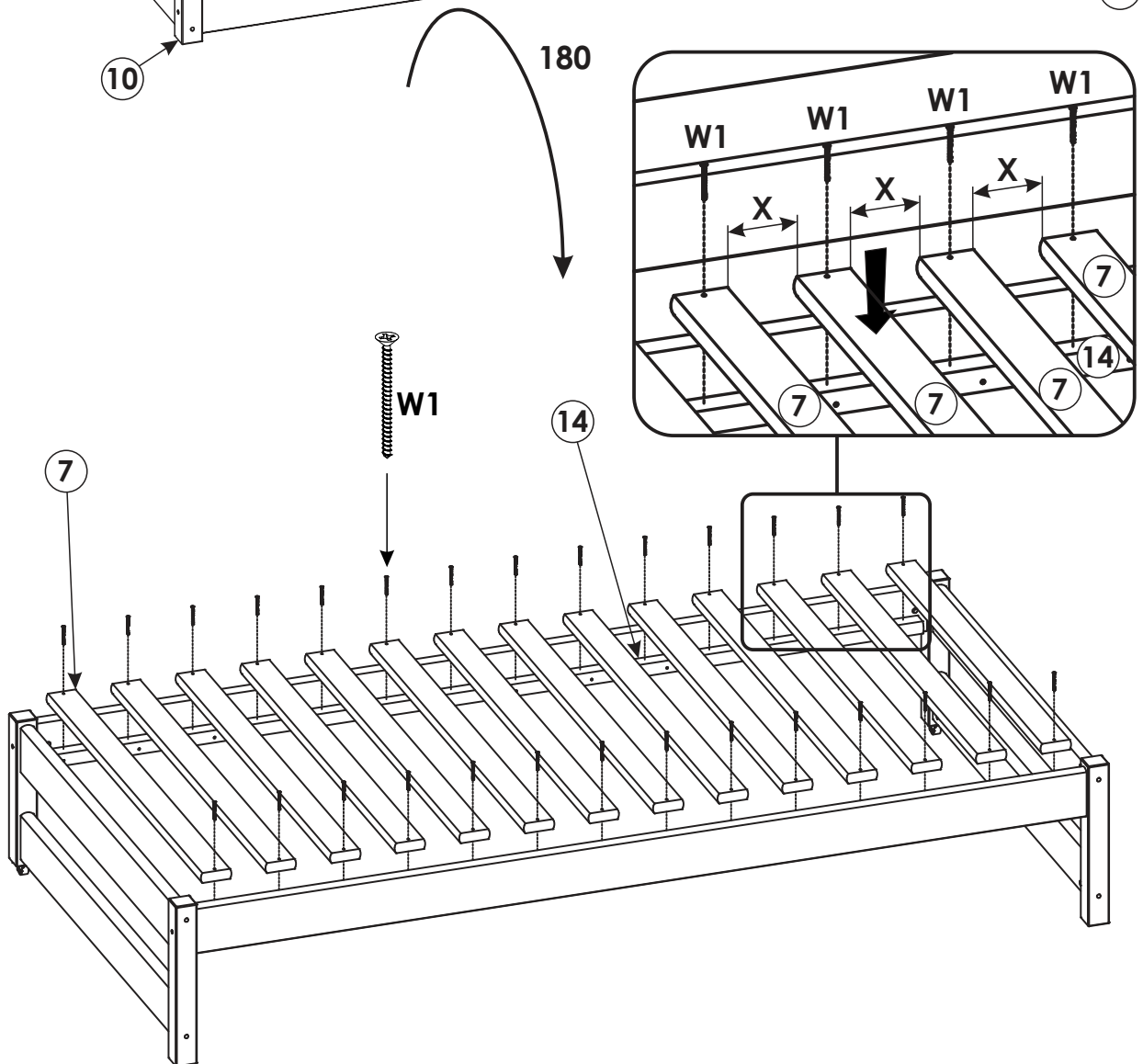
# 20.



21.



22.



23.

