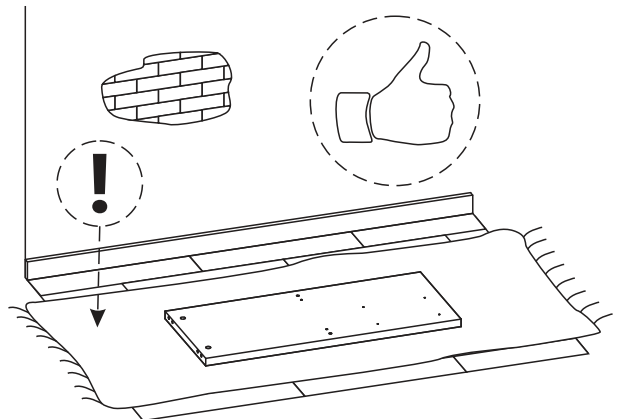
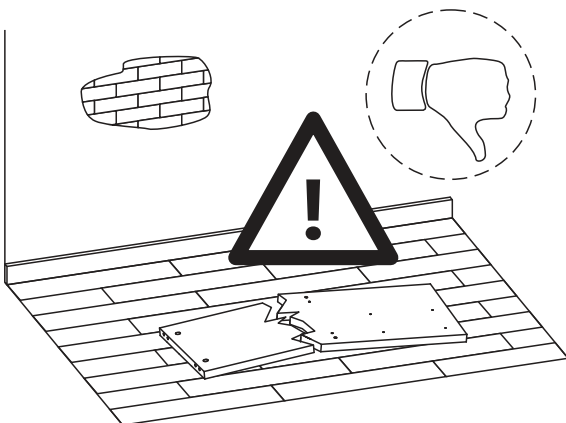
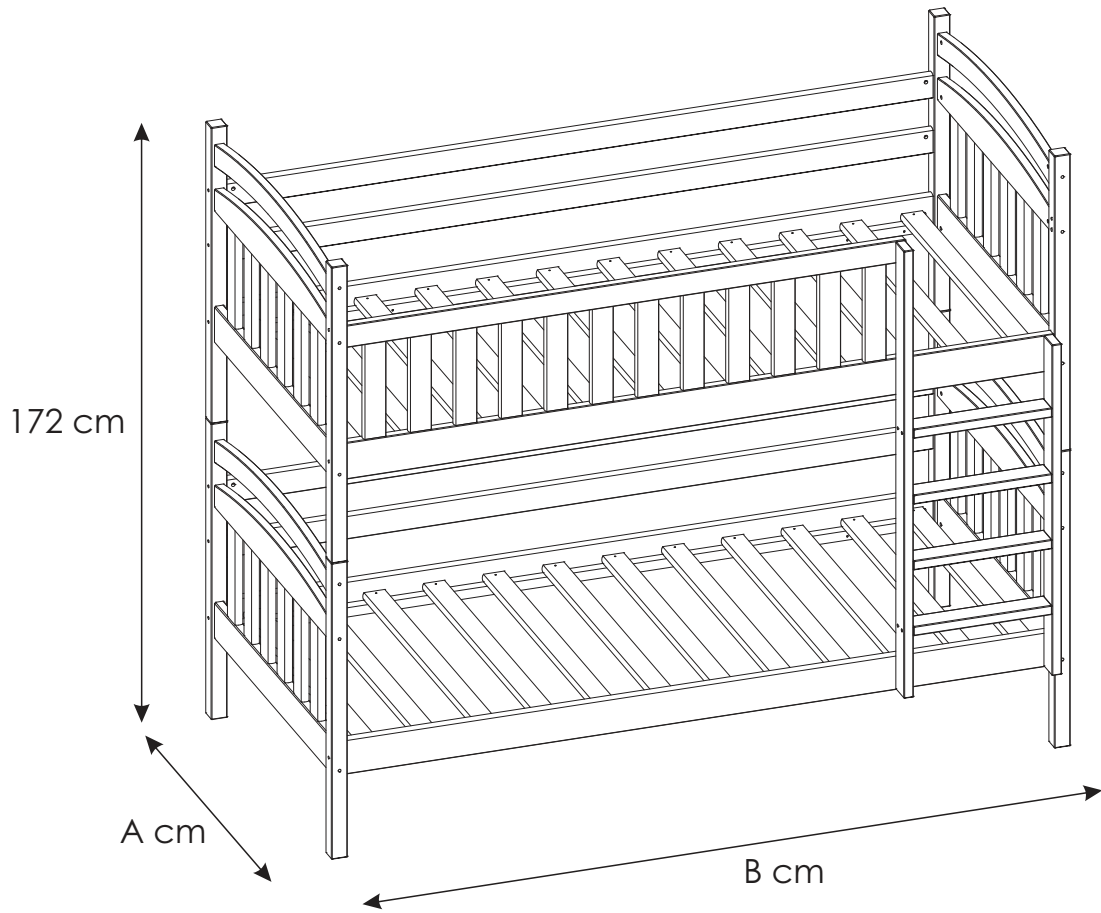
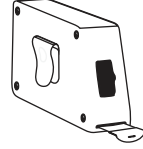
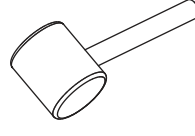
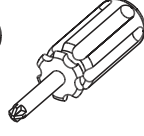
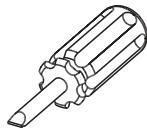
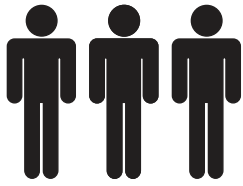
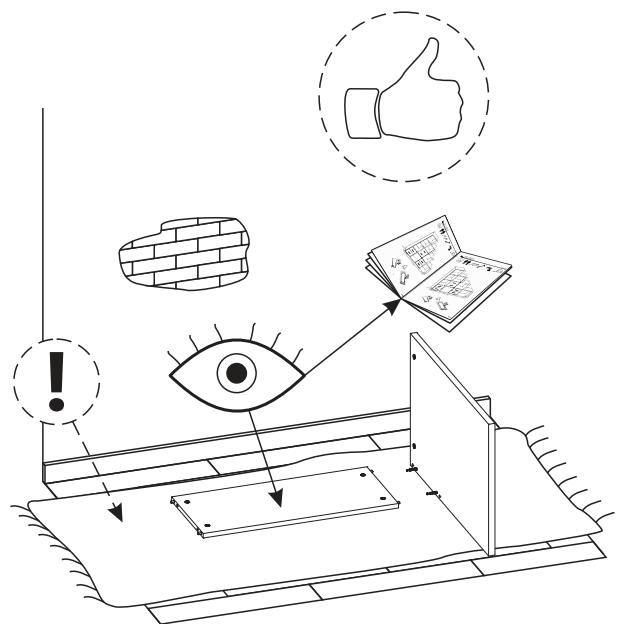
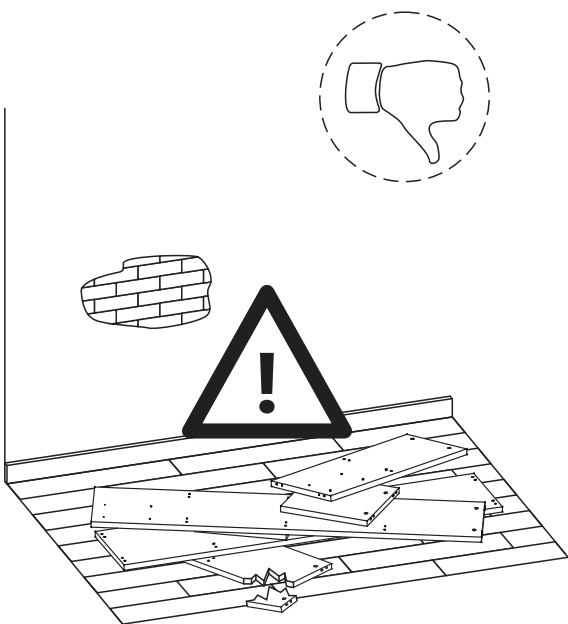
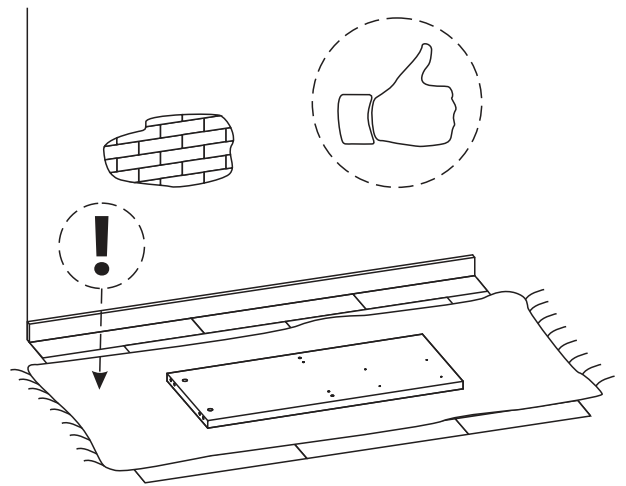
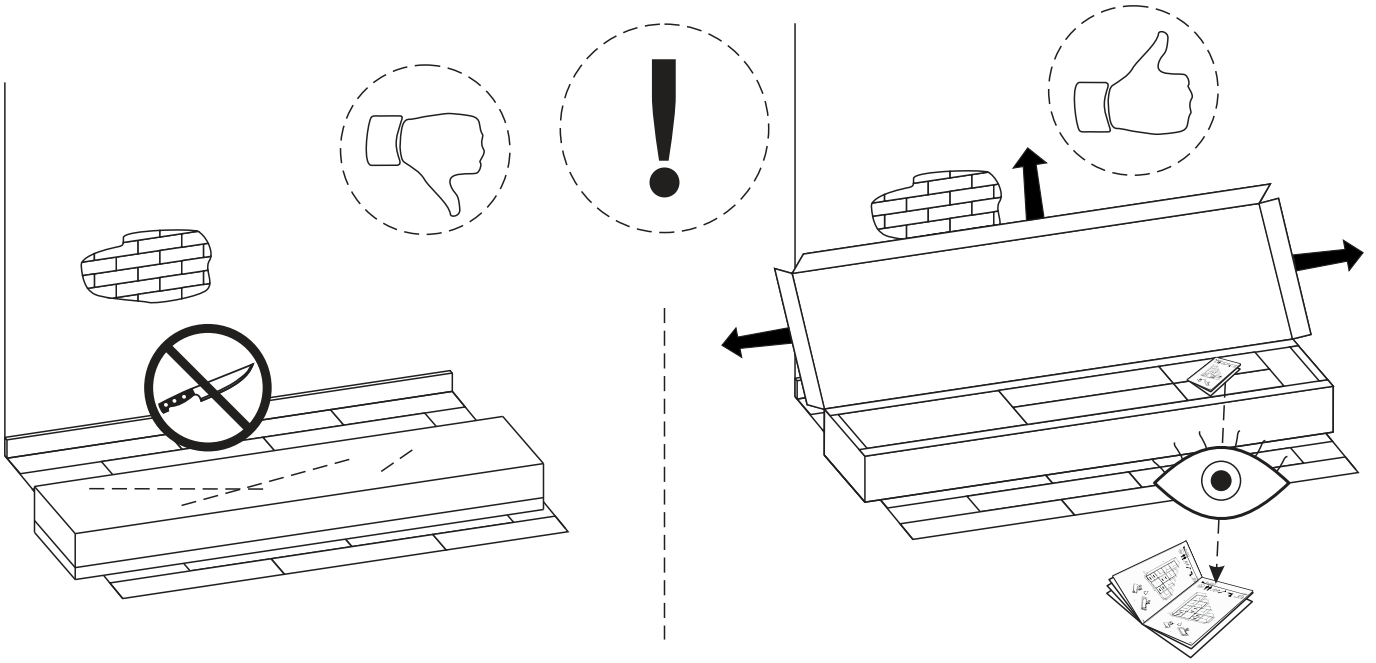


# MARCIN

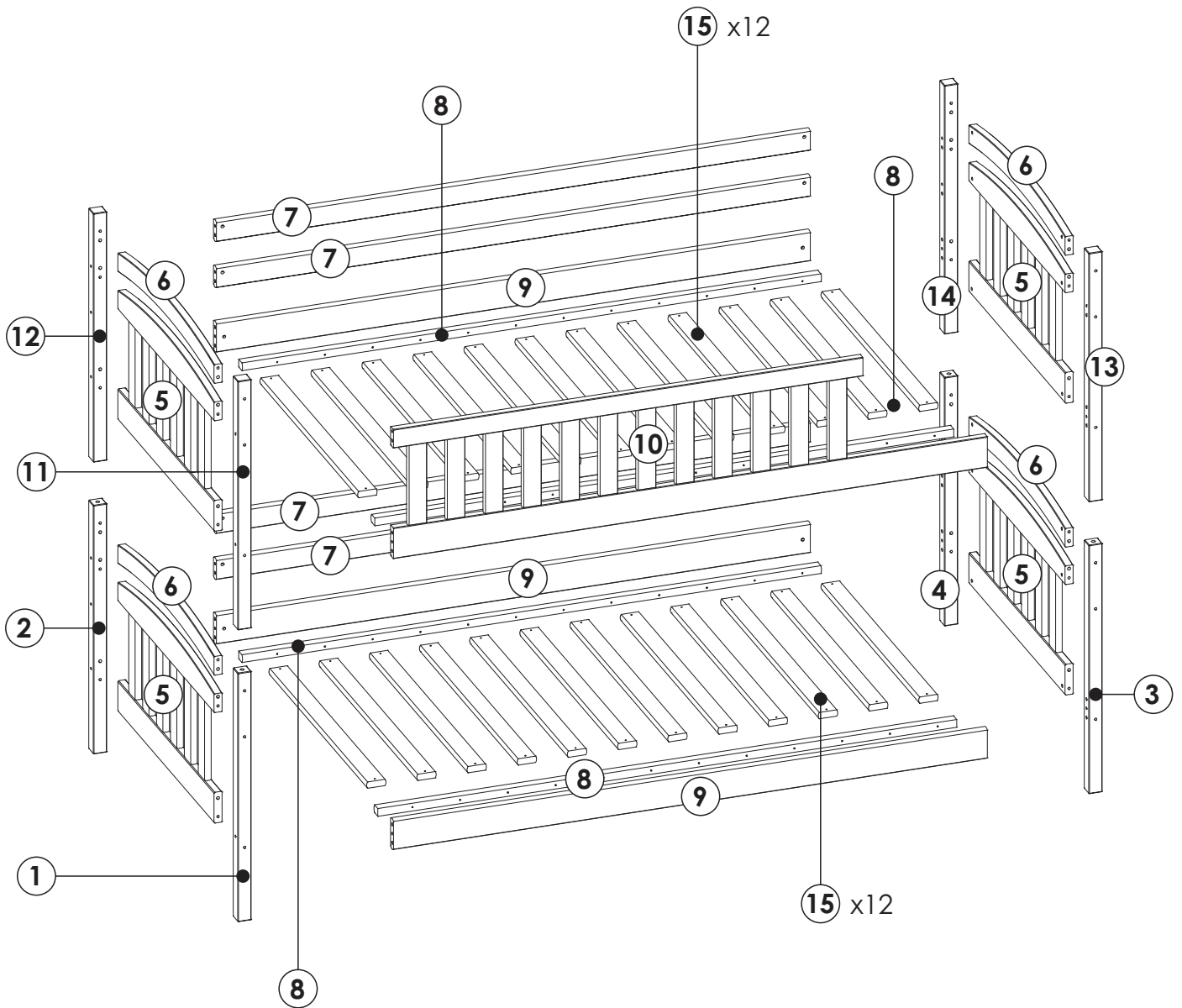
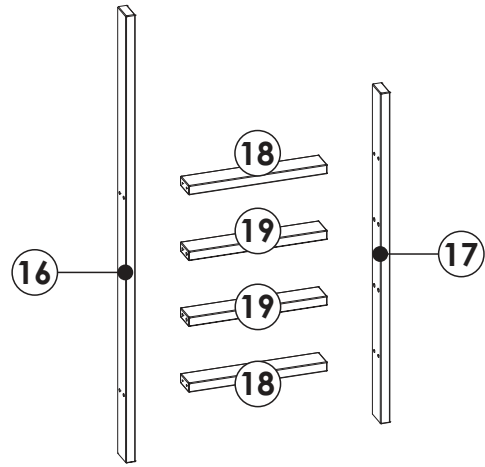
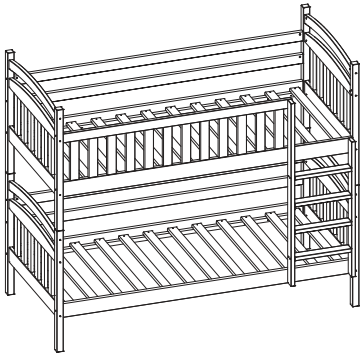


180 min





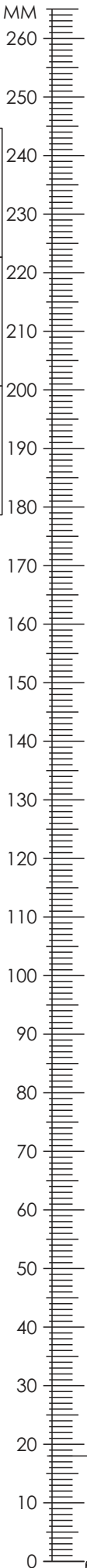
# MARCIN

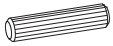
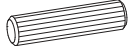
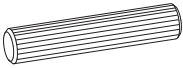








# MARCIN


DPL <b>1</b>	864	45	45	x1	MNDPL_00730
DTL <b>2</b>	864	45	45	x1	MNDTL_00800
DPP <b>3</b>	864	45	45	x1	MNDPP_00740
DTP <b>4</b>	864	45	45	x1	MNDTP_00790
PBB <b>5</b>	685, 785, 885	491	27	x4	PS_00470 DP_00480 DB_00610
DB <b>6</b>	685, 785, 885	107	27	x4	DB_00600
DW <b>7</b>	1390, 1590, 1690, 1790, 1890, 1990	35	27	x4	DW75_00930
LS <b>8</b>	1340, 1540, 1640, 1740, 1840, 1940	35	27	x4	LS_00160
DN <b>9</b>	1390, 1590, 1690, 1790, 1890, 1990	107	27	x3	DN_00110
PDP <b>10</b>	1390, 1590, 1690, 1790, 1890, 1990	449	27	x1	PS_00470 DPDD_00640 DPDC_00660
GPL <b>11</b>	864	45	45	x1	MNGPL_00770
GTL <b>12</b>	864	45	45	x1	MNGTL_00700
GPP <b>13</b>	864	45	45	x1	PNGPP_00650
GTP <b>14</b>	864	45	45	x1	MNGTP_00720
DS <b>15</b>	700, 800, 900	65	22	x24	DS_00170
P4S <b>16</b>	1305	65	27	x1	DDP4S_00630
P4S <b>17</b>	965	65	27	x1	DDP4S_00620
DSS <b>18</b>	390	65	27	x2	DSS_00210
DSK <b>19</b>	390	65	27	x2	DSK_00220


# MARCIN




<b>A1</b> akc_0001  8 x 35 mm x8	<b>A2</b> akc_0002  10 x 40 mm x49	<b>A3</b> akc_0003  12 x 60 mm x4
<b>K1</b> akc_0004  6,4 x 50 mm x8	<b>M</b> akc_0005  x1	<b>N1</b> akc_0006  6 x 80 mm x41
<b>S1</b> akc_0008  10 x 16 mm x41	<b>W1</b> akc_0009  3,5 x 40 mm x48	<b>W4</b> akc_0012  4 x 60 mm x5

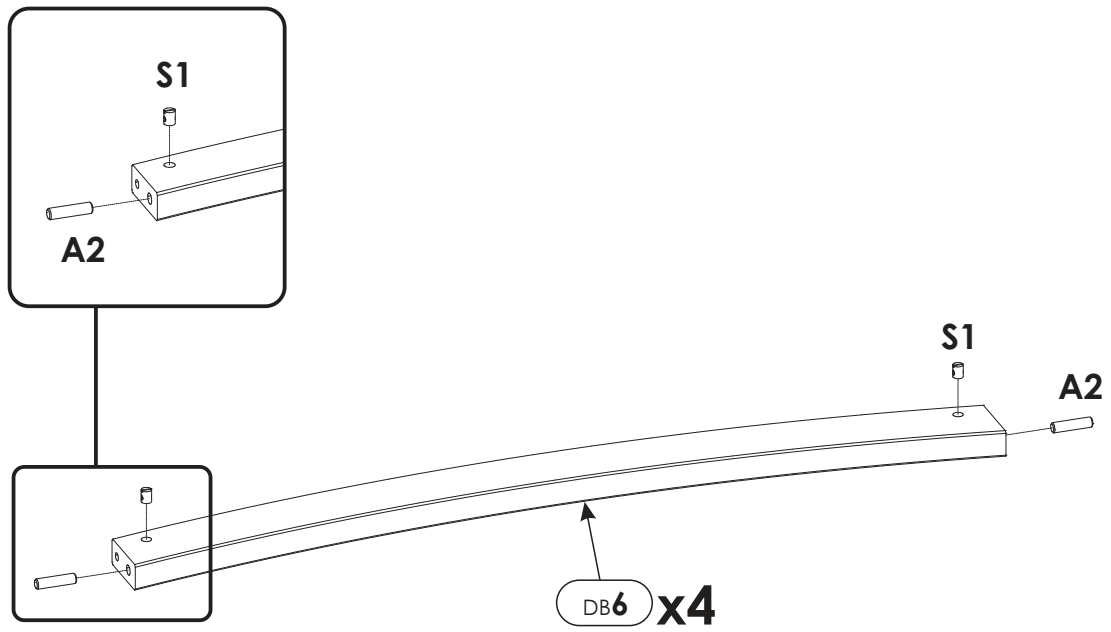
----- **OPTION** -----

<b>W3</b> akc_0011  4 x 50 mm x48
---

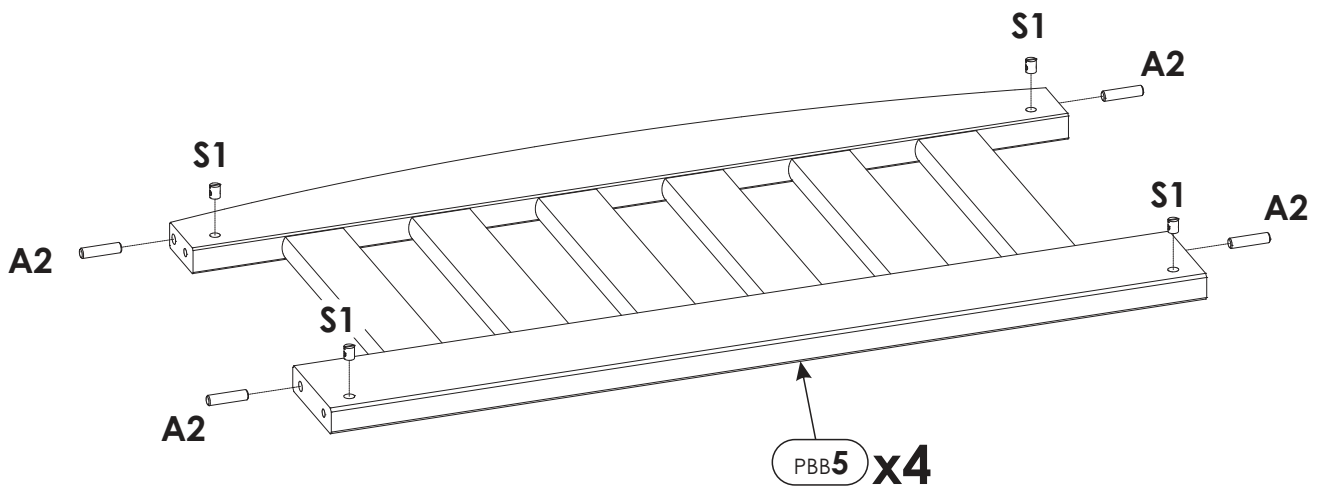
<b>W3</b> akc_0011  4 x 50 mm x44
--

<b>W3</b> akc_0011  4 x 50 mm x40
--

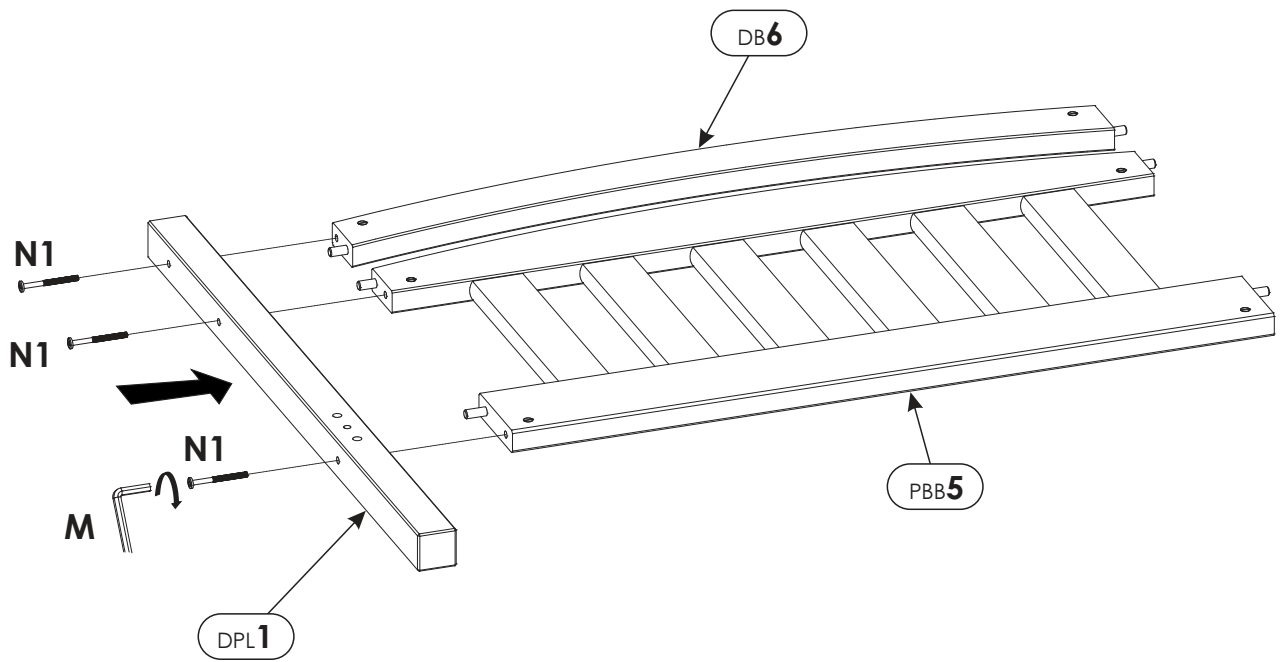
# 1.



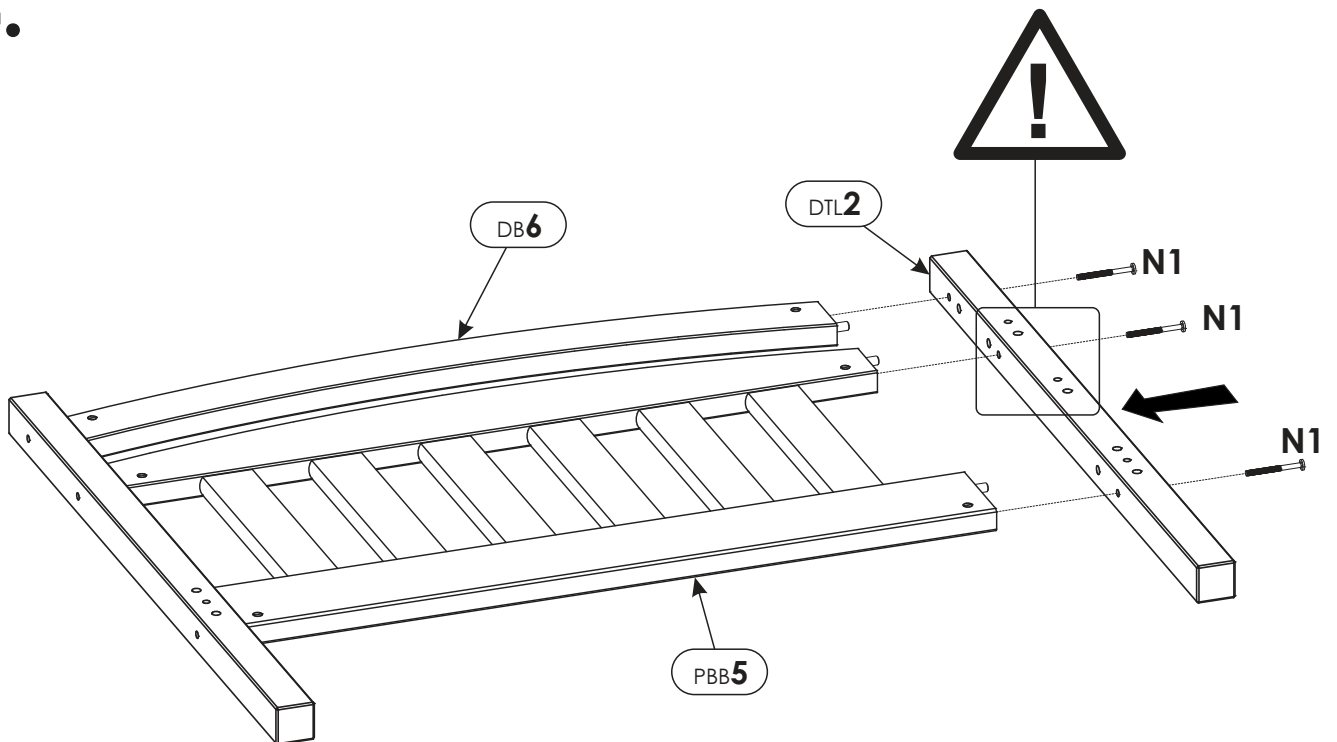
# 2.



3.

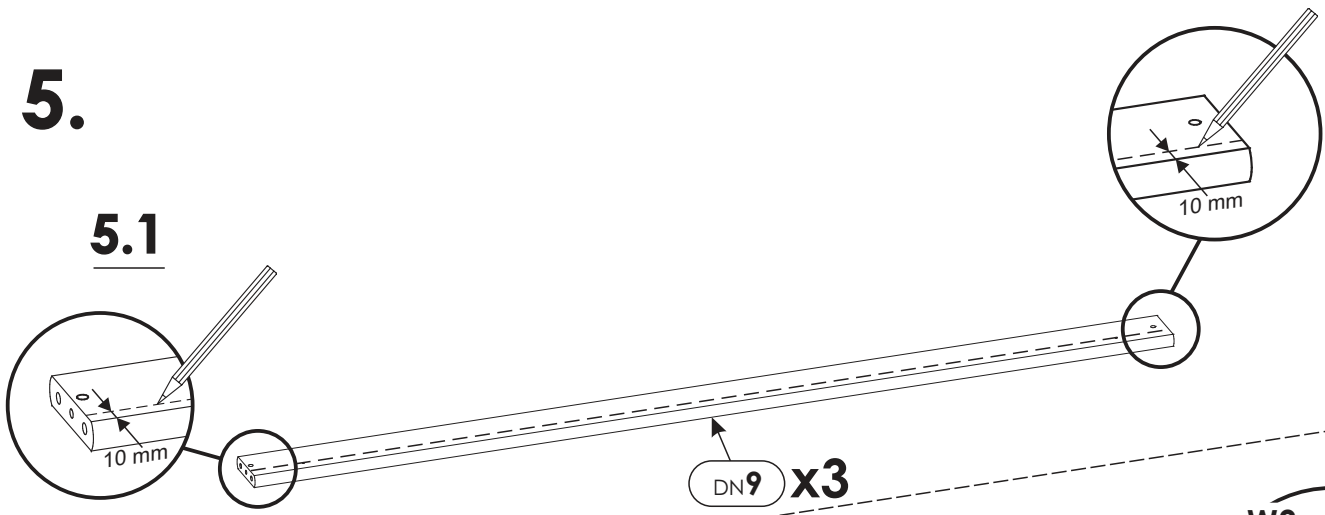


4.

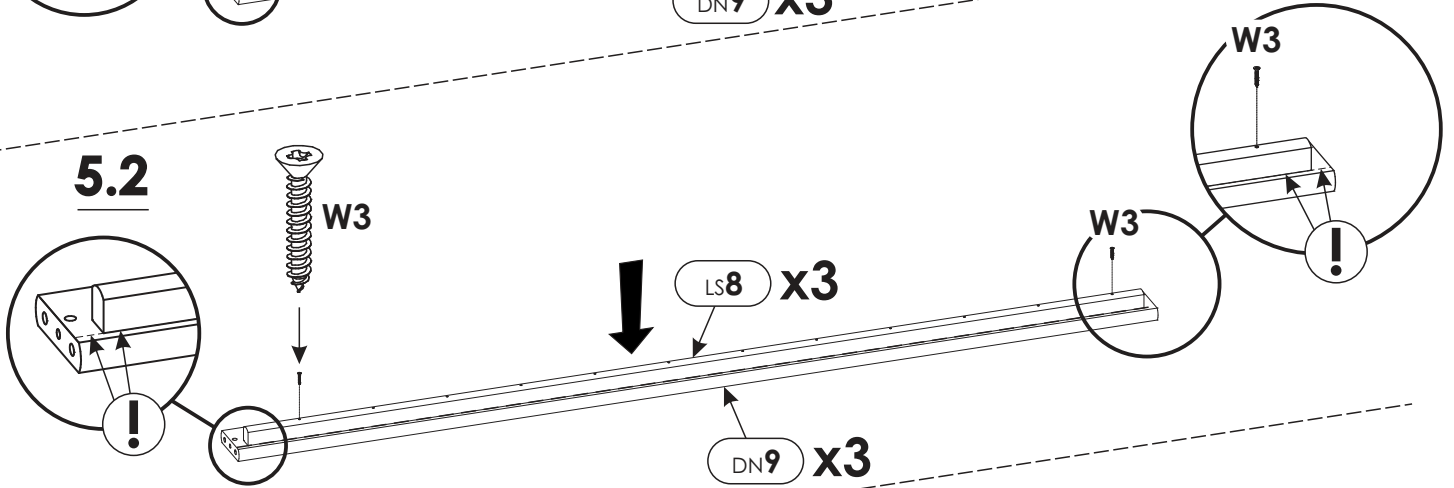


# 5.

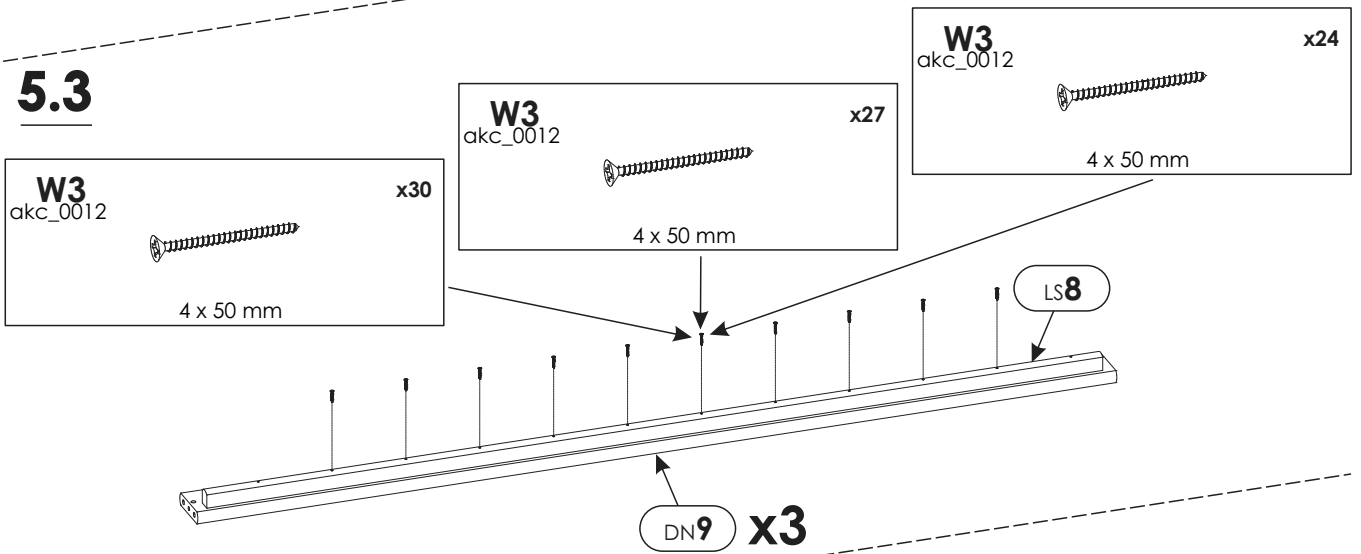
## 5.1



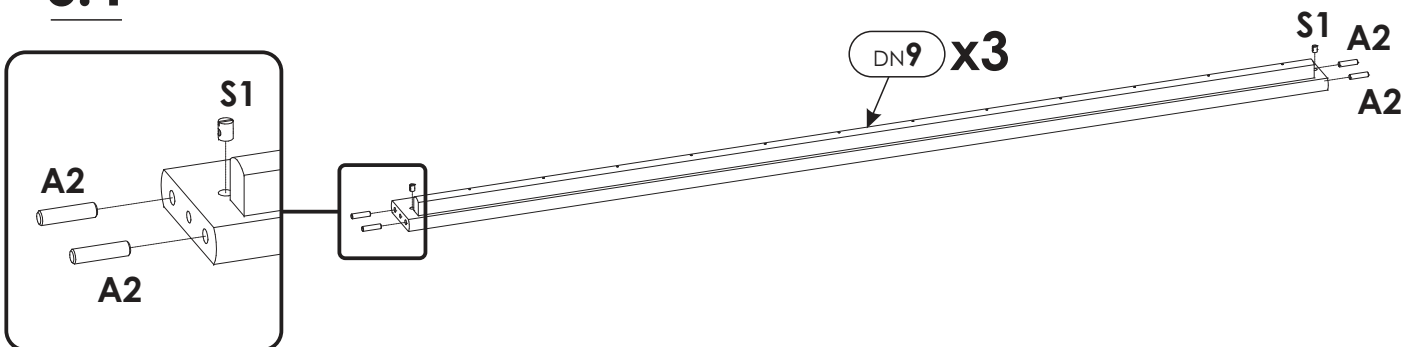
## 5.2



## 5.3

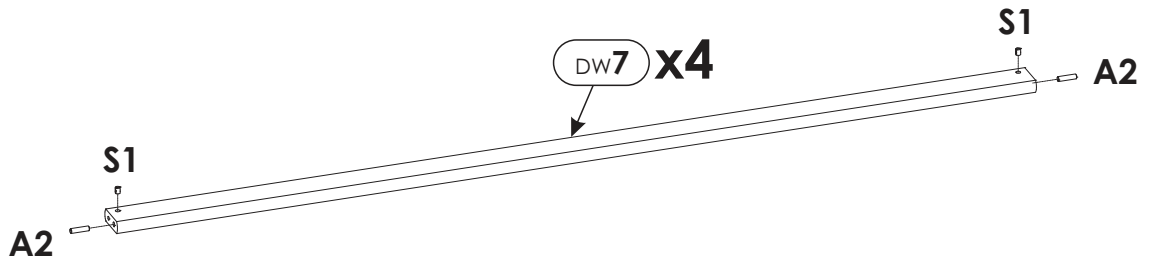


## 5.4

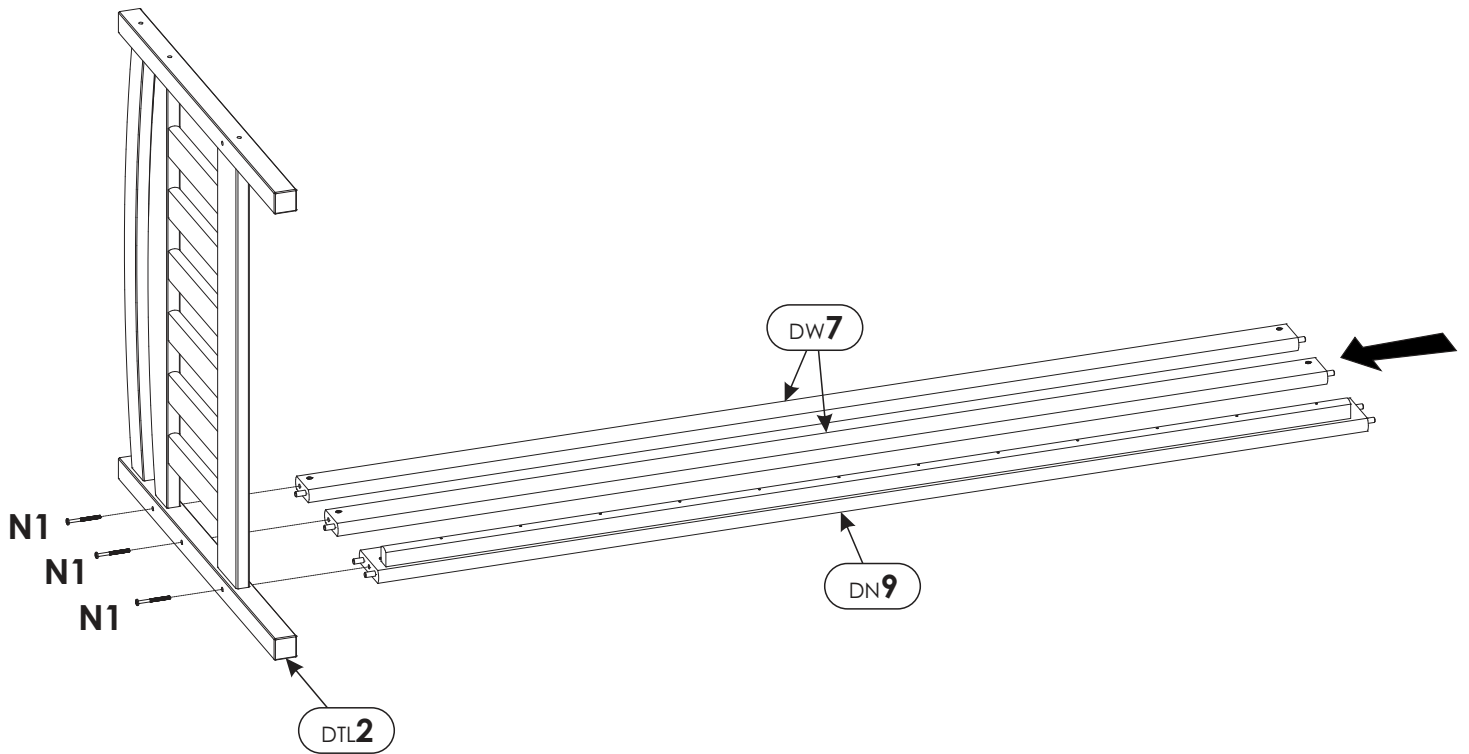
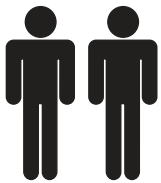




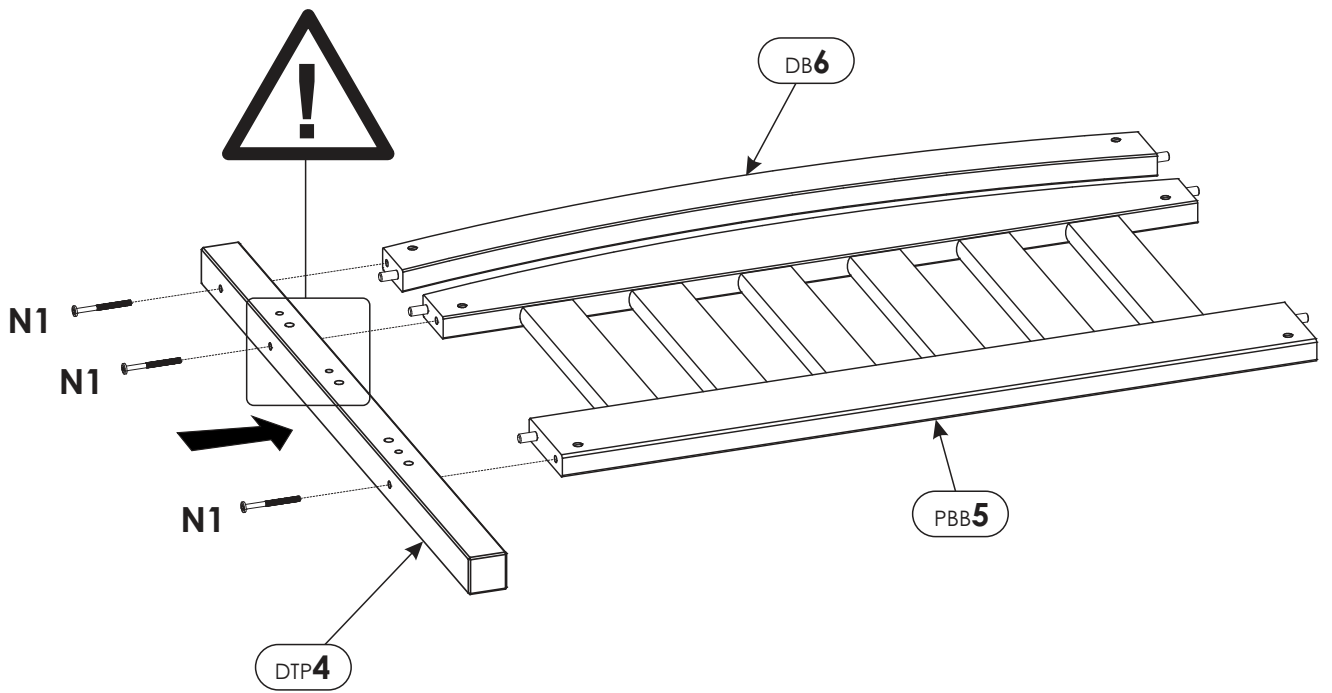
6.



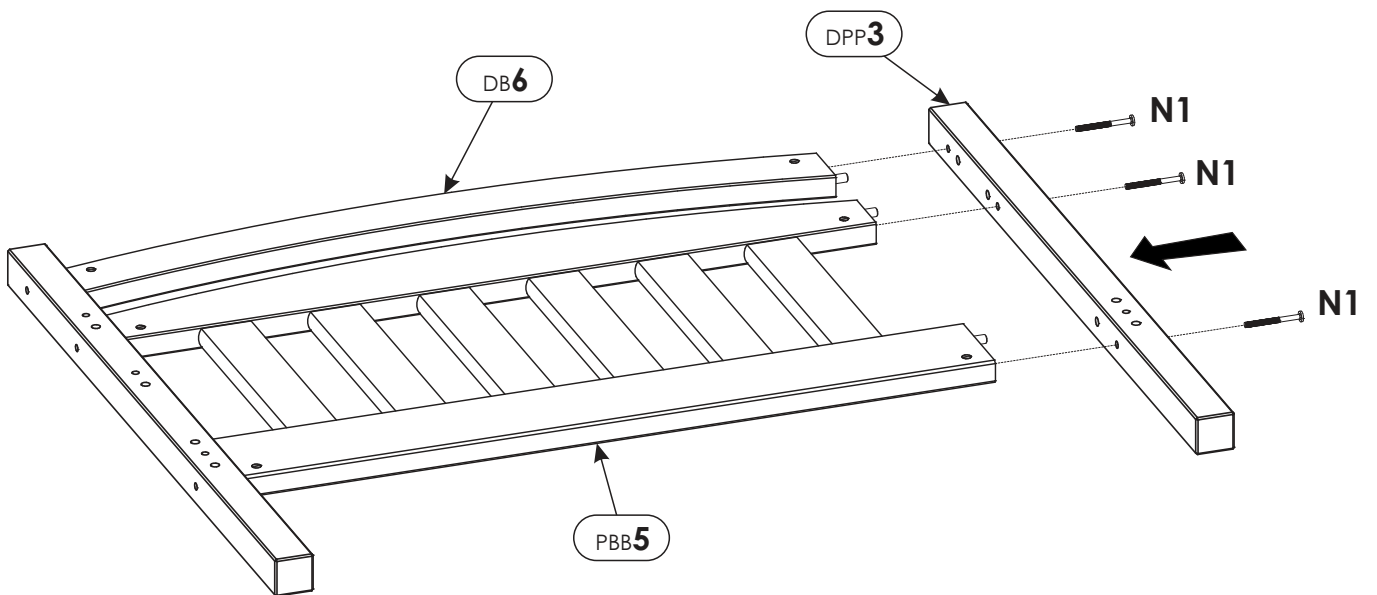
7.



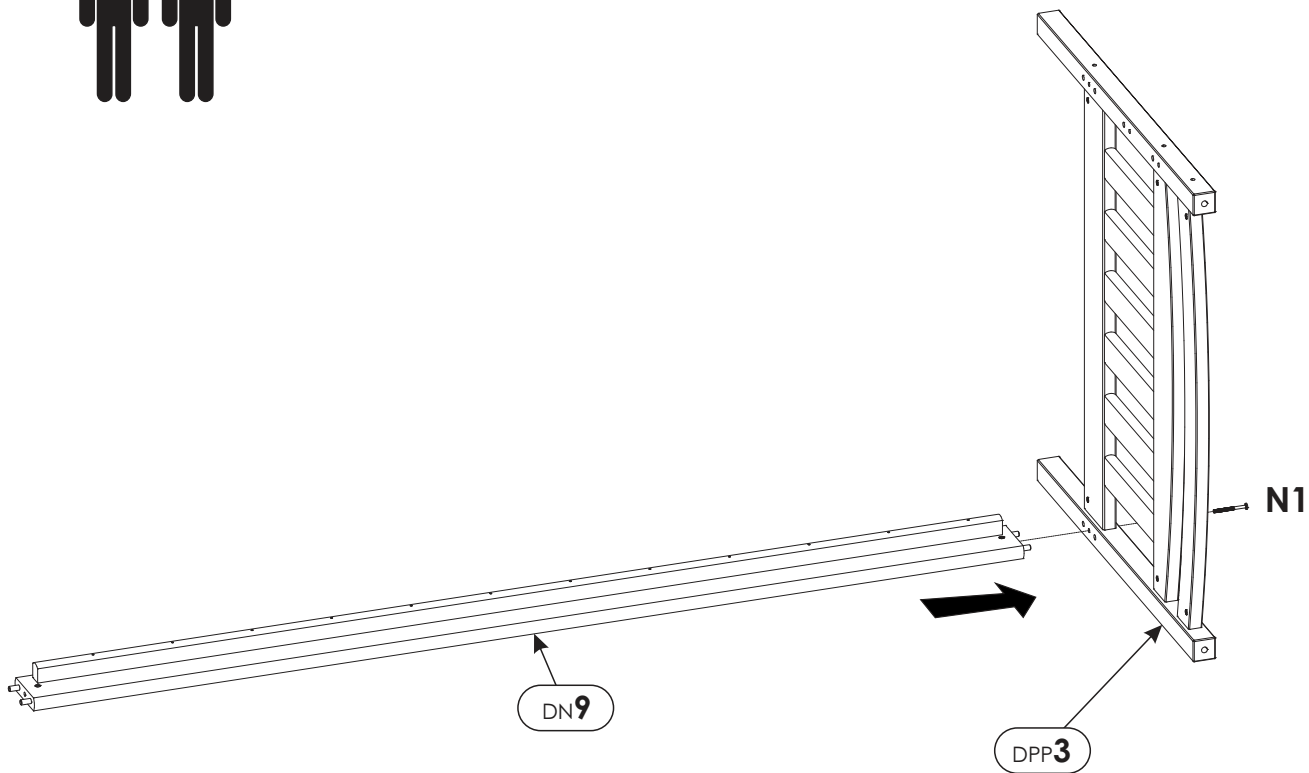
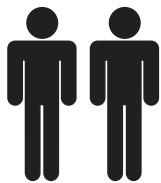
8.



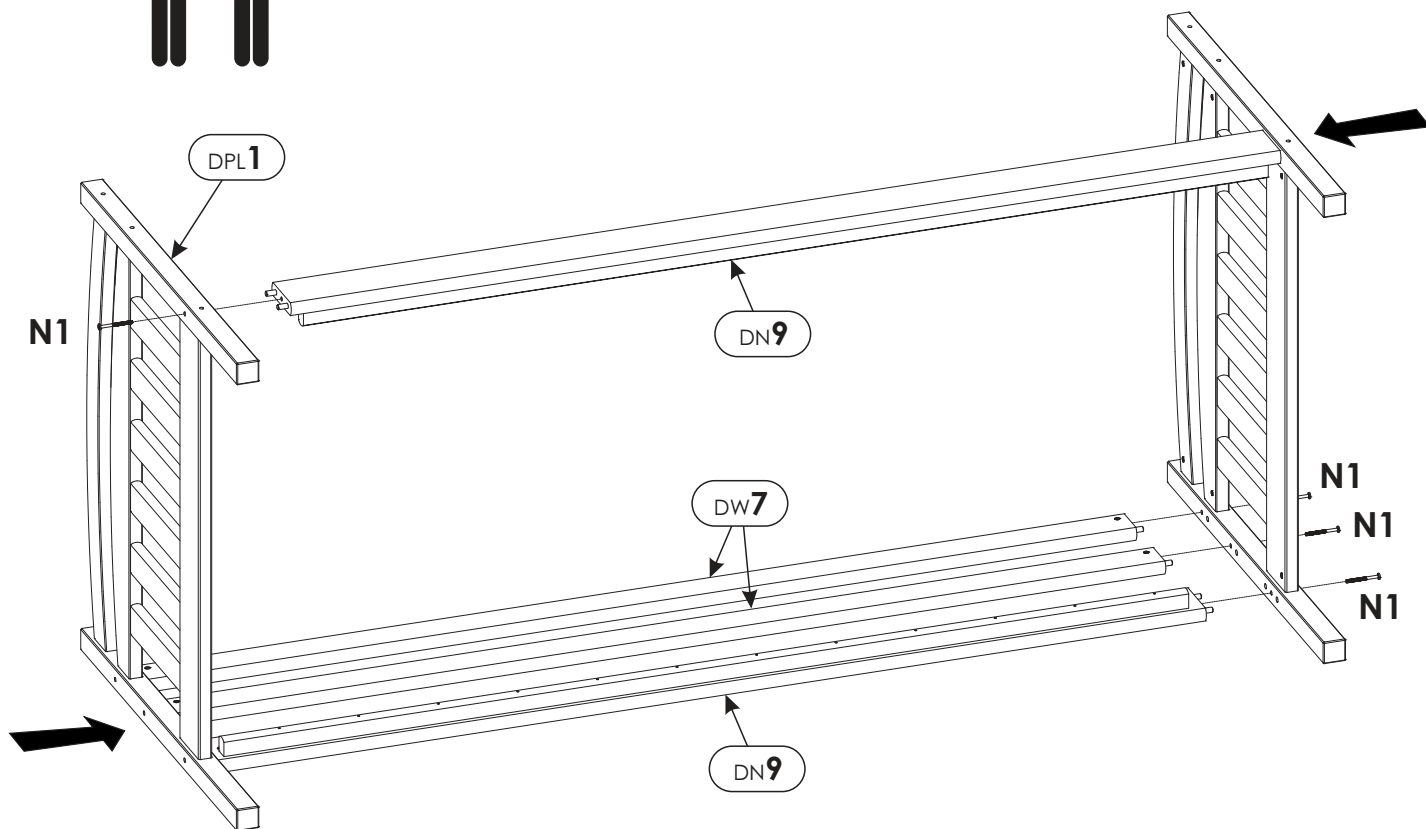
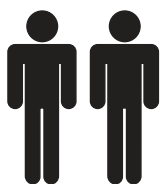
9.



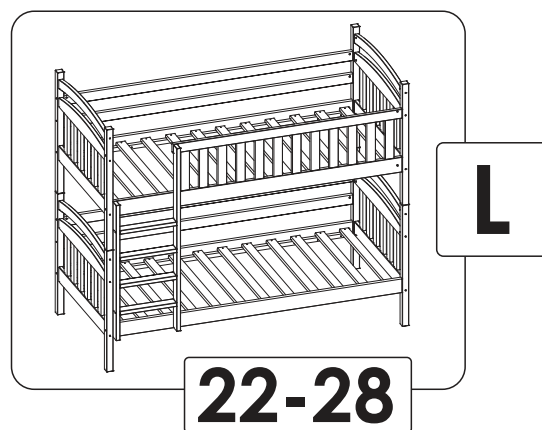
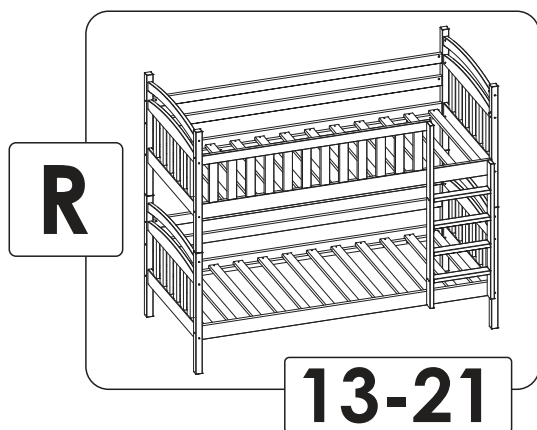
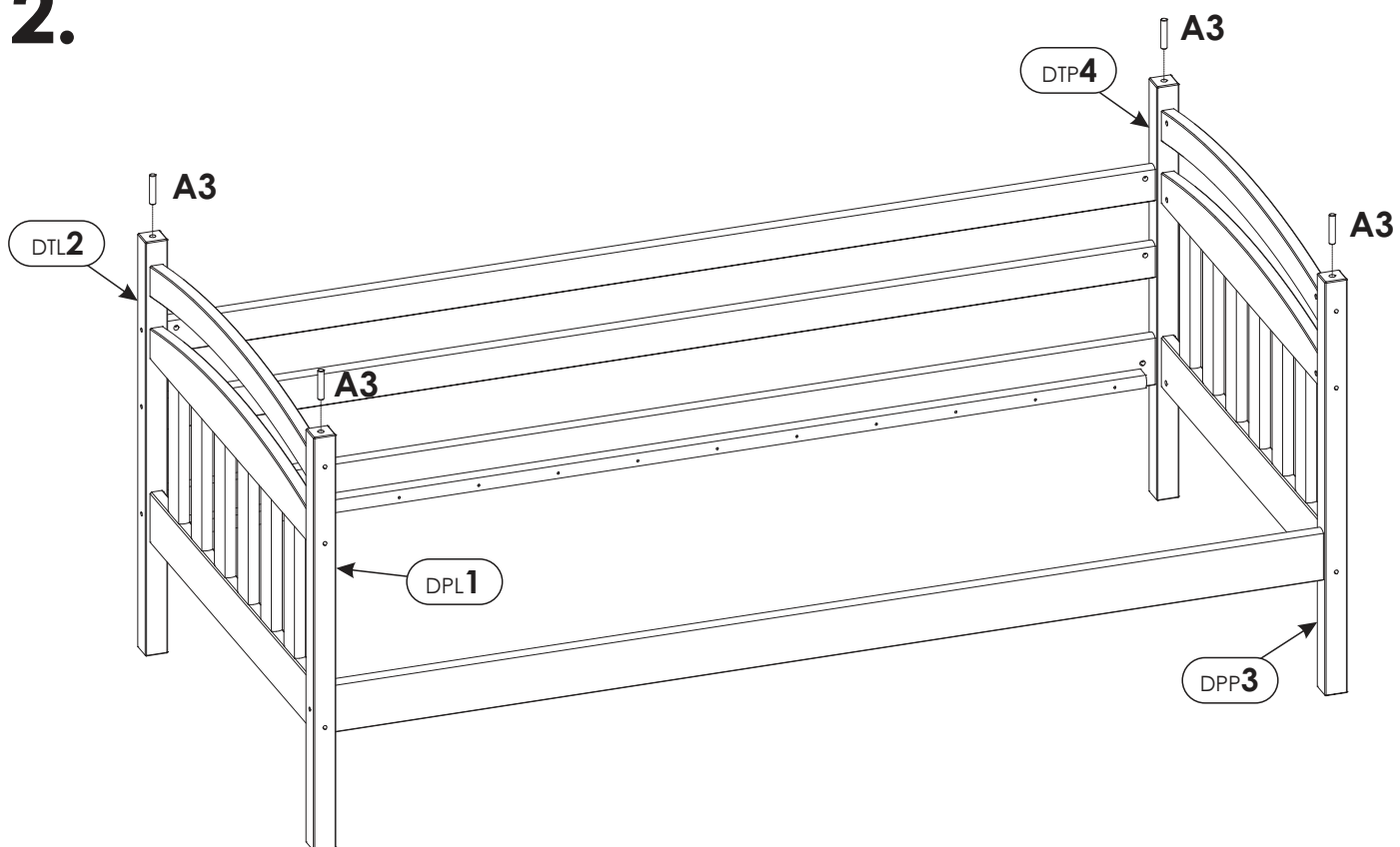
10.



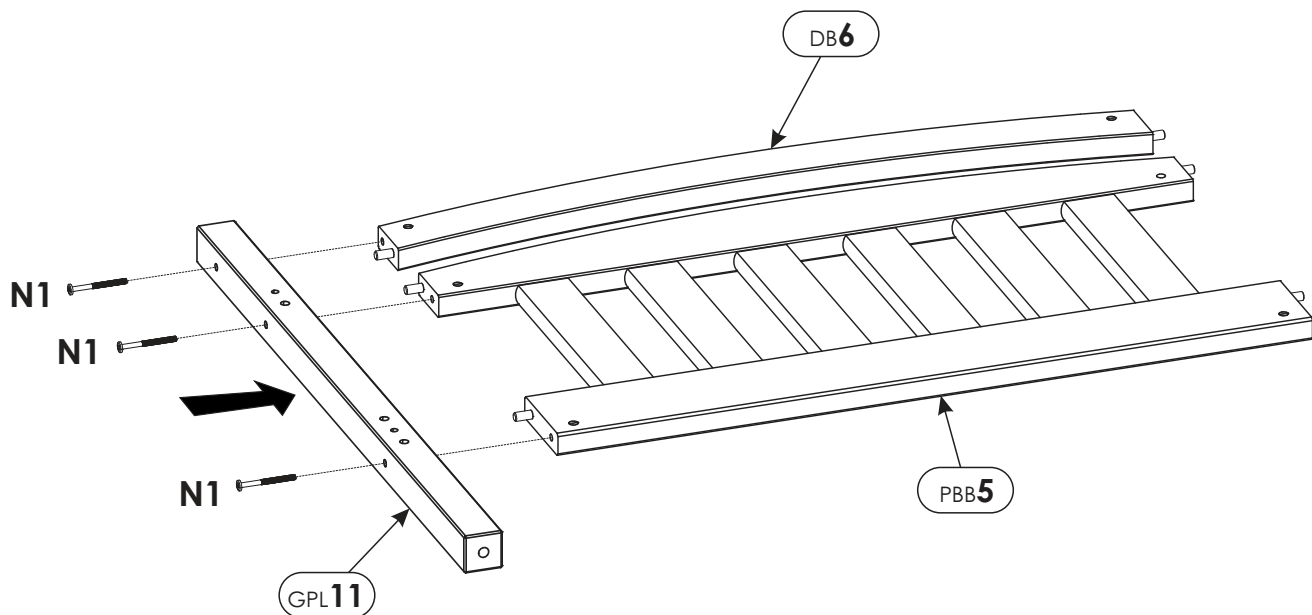
11.



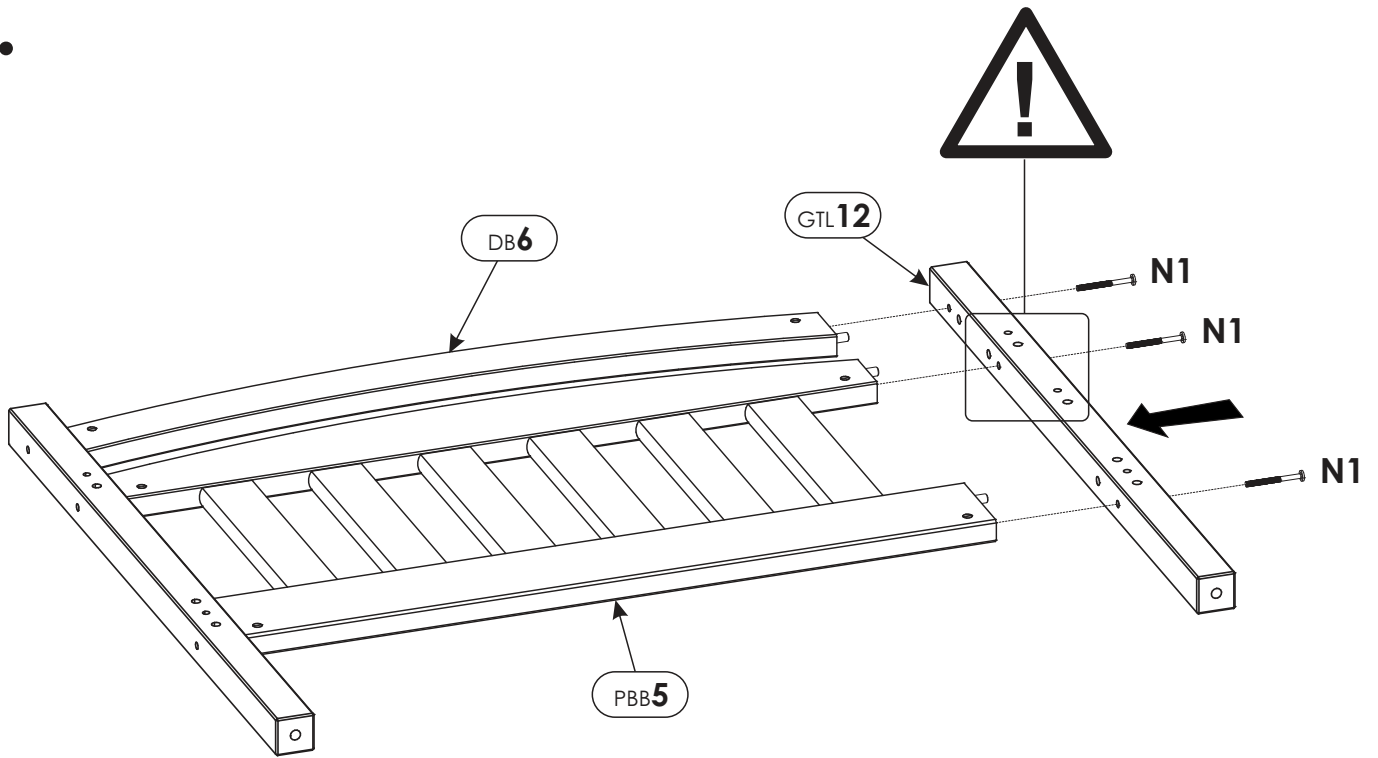
# 12.



# 13.

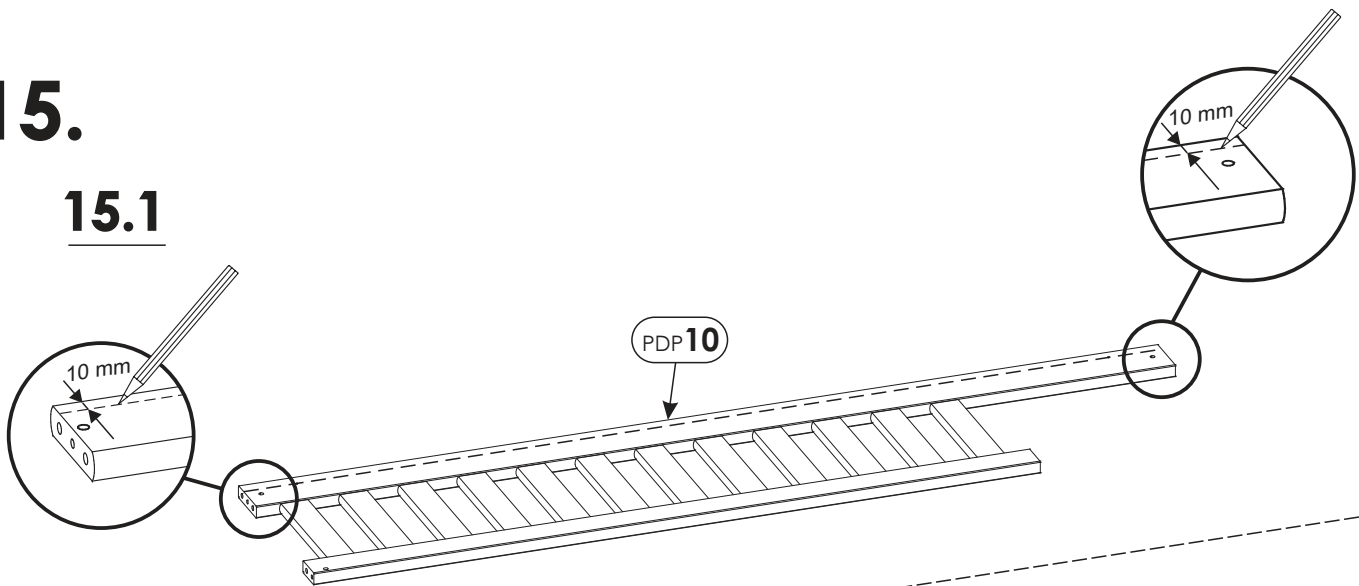


# 14.

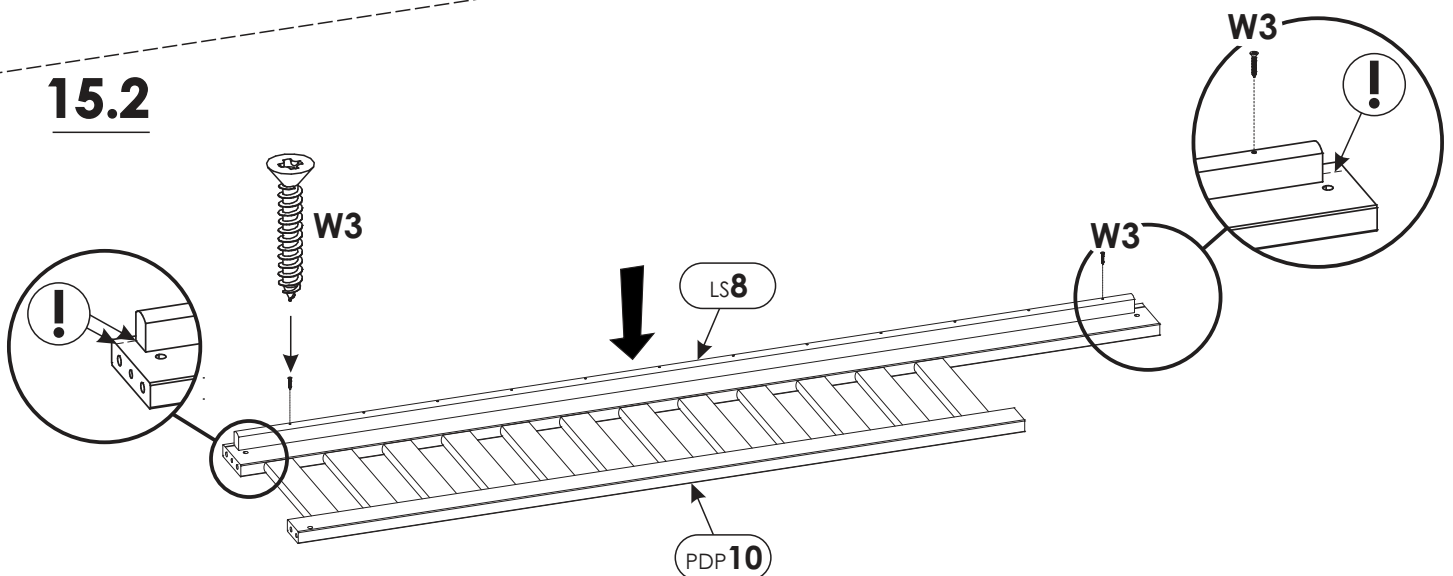


# 15.

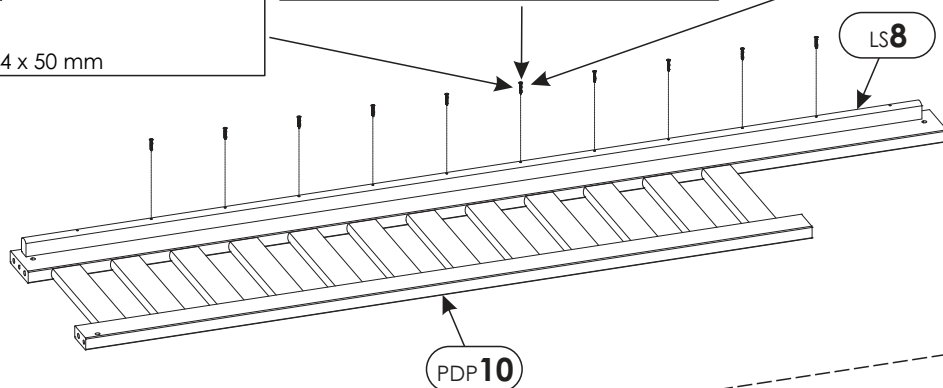
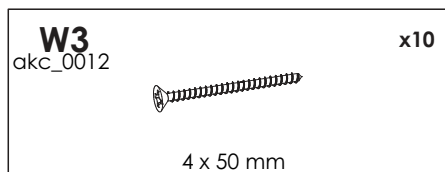
## 15.1



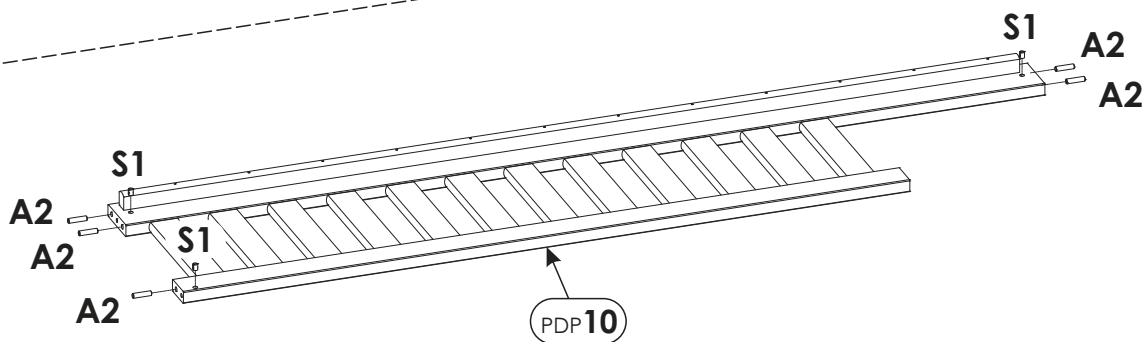
## 15.2



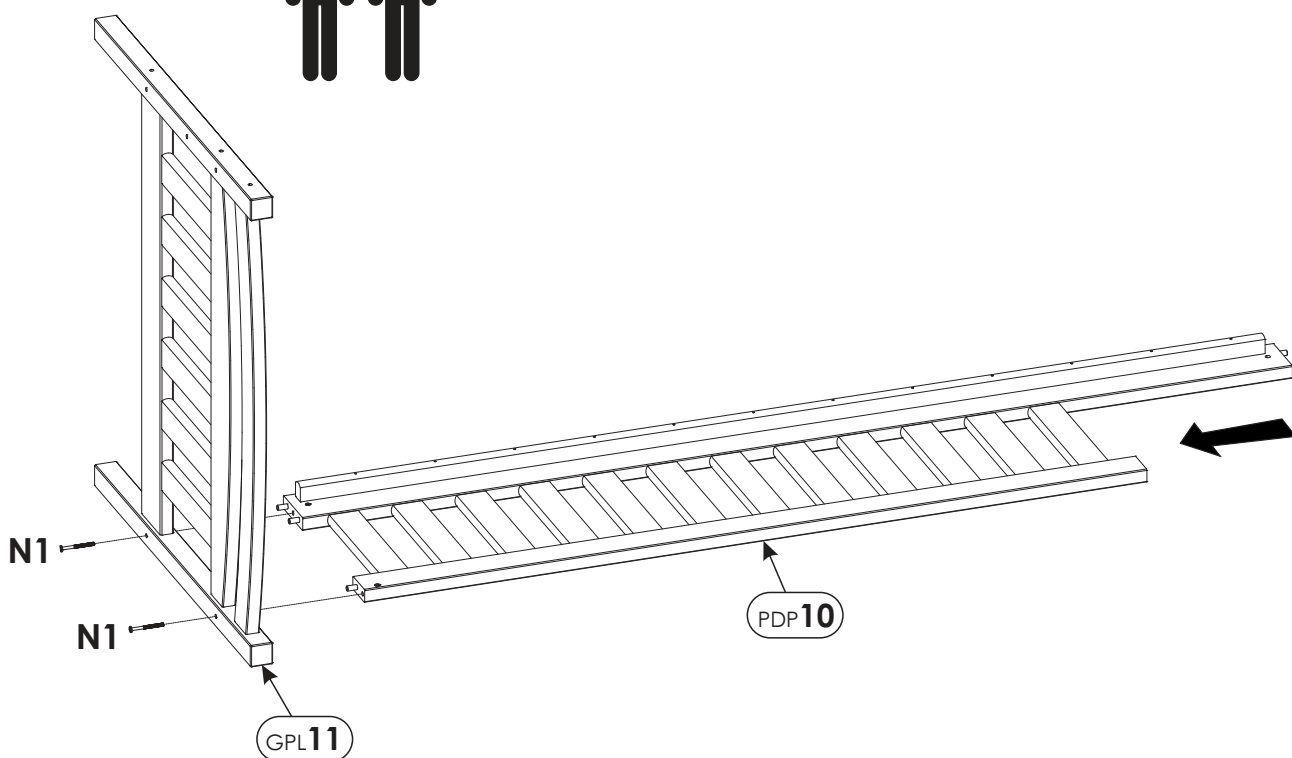
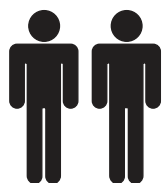
# 15.3



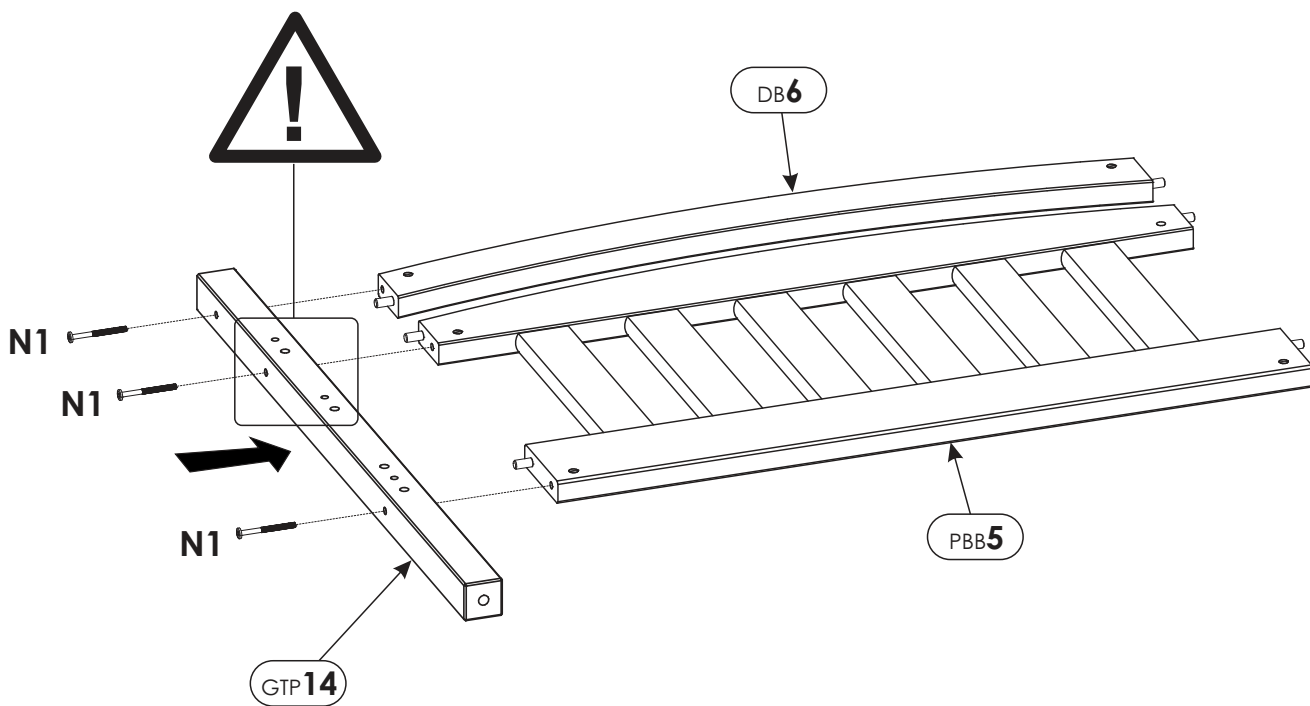
# 15.4



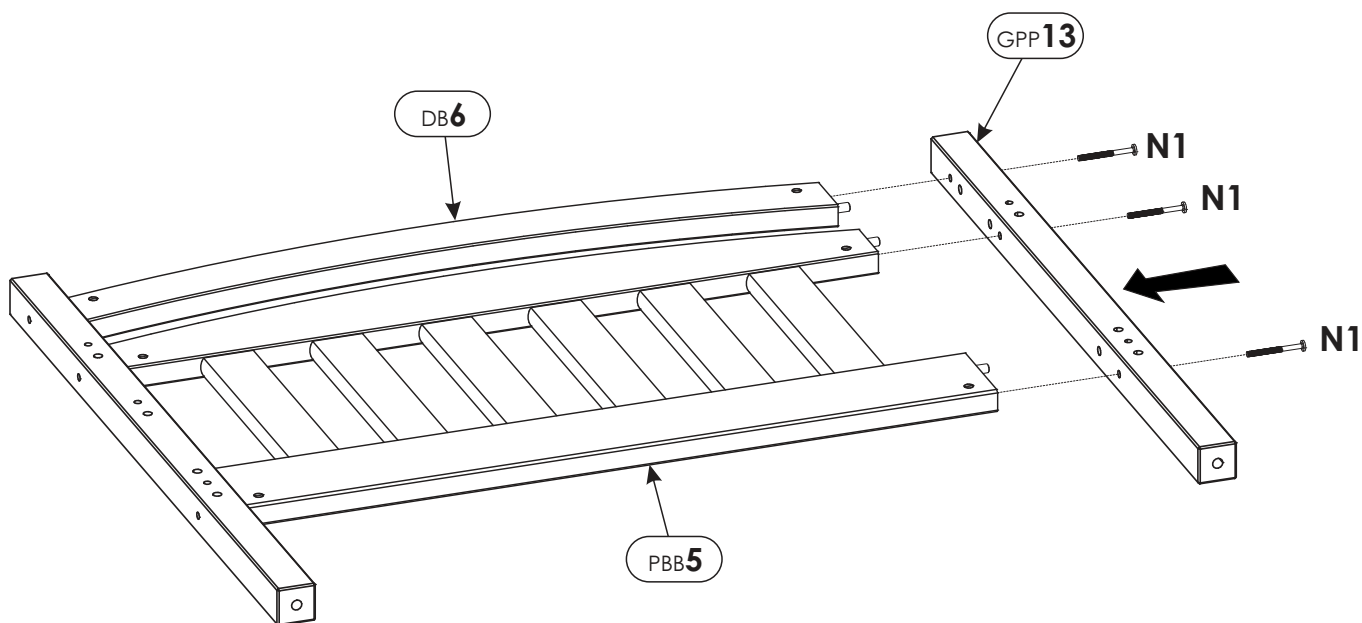
# 16.



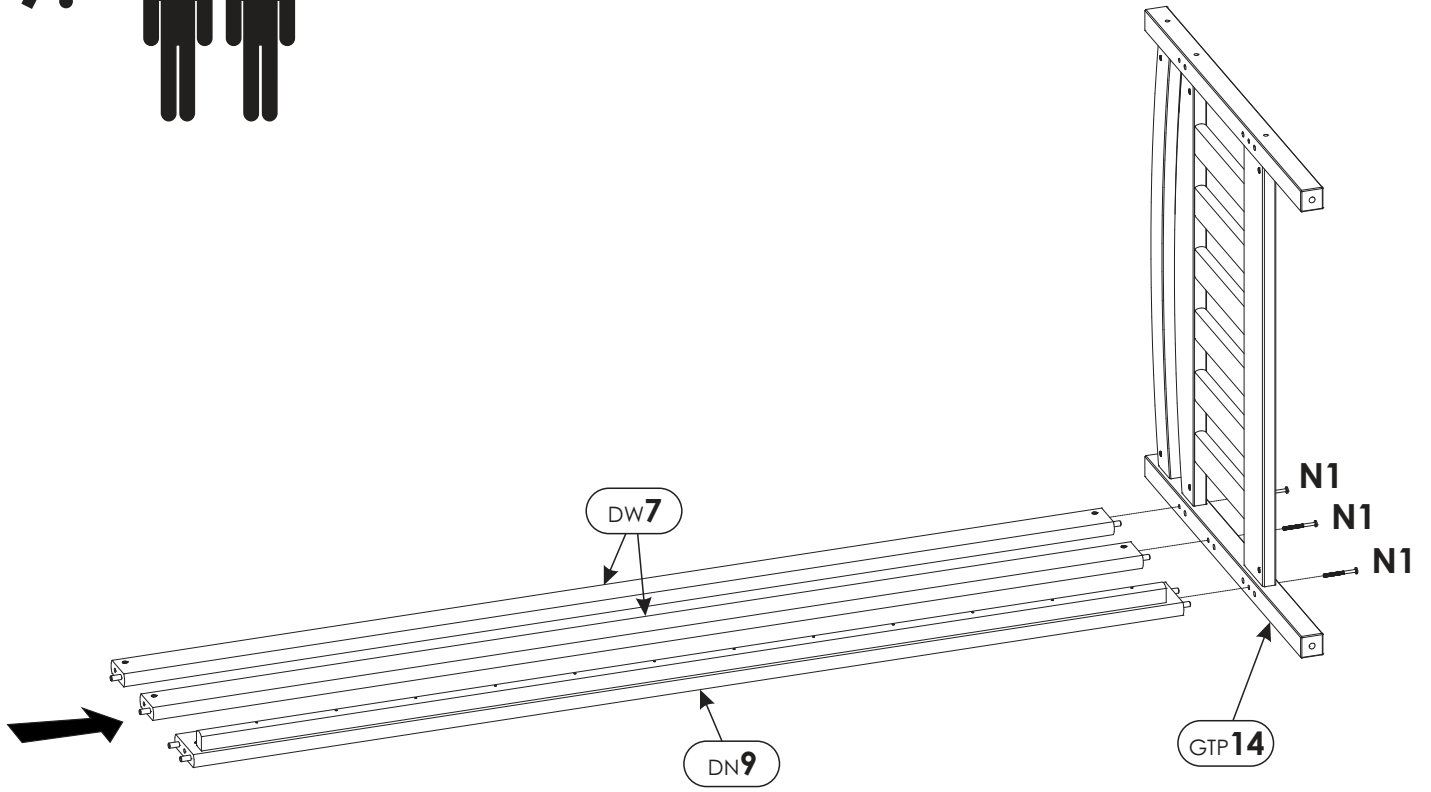
# 17.



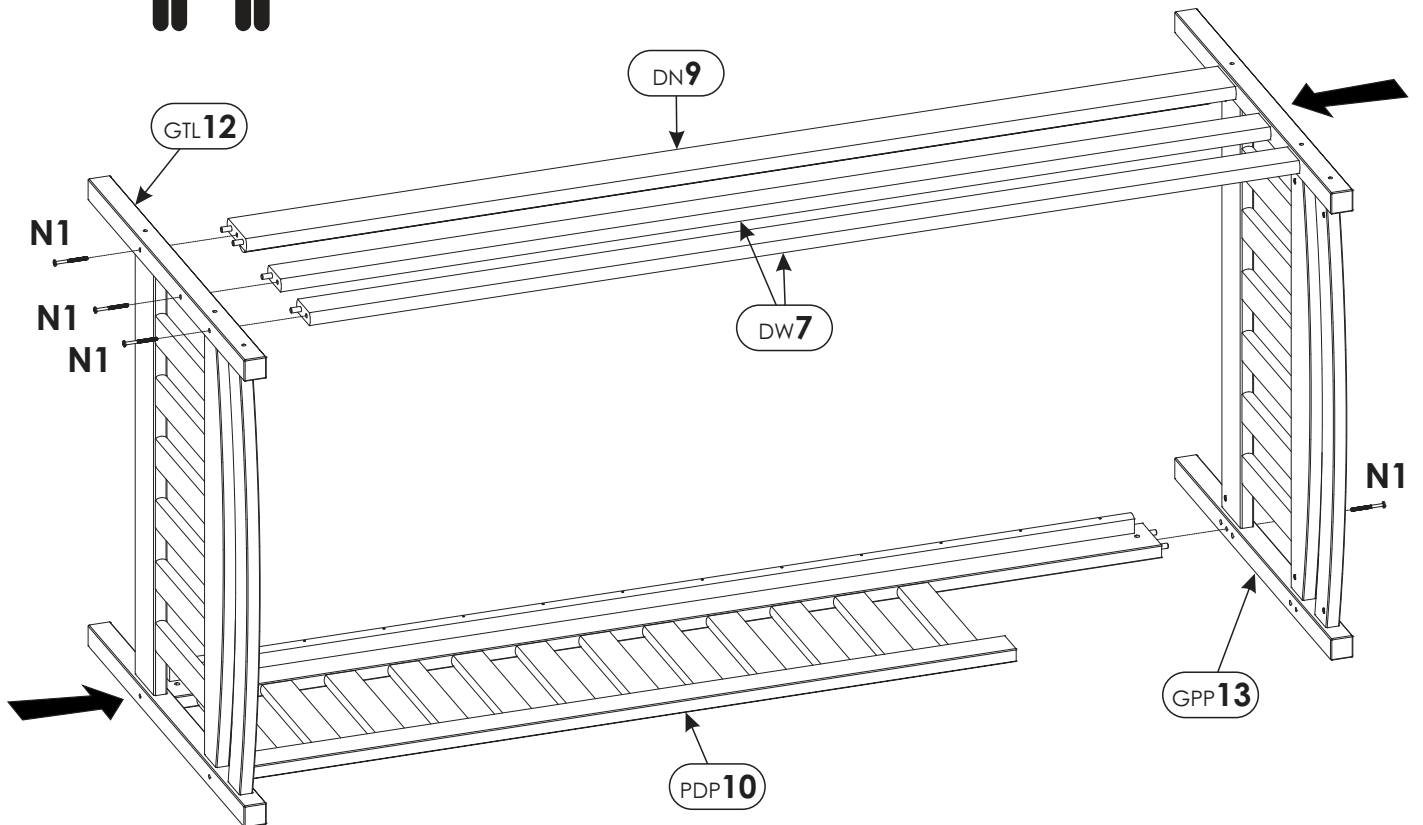
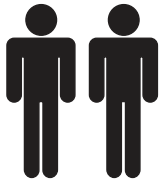
# 18.



19.

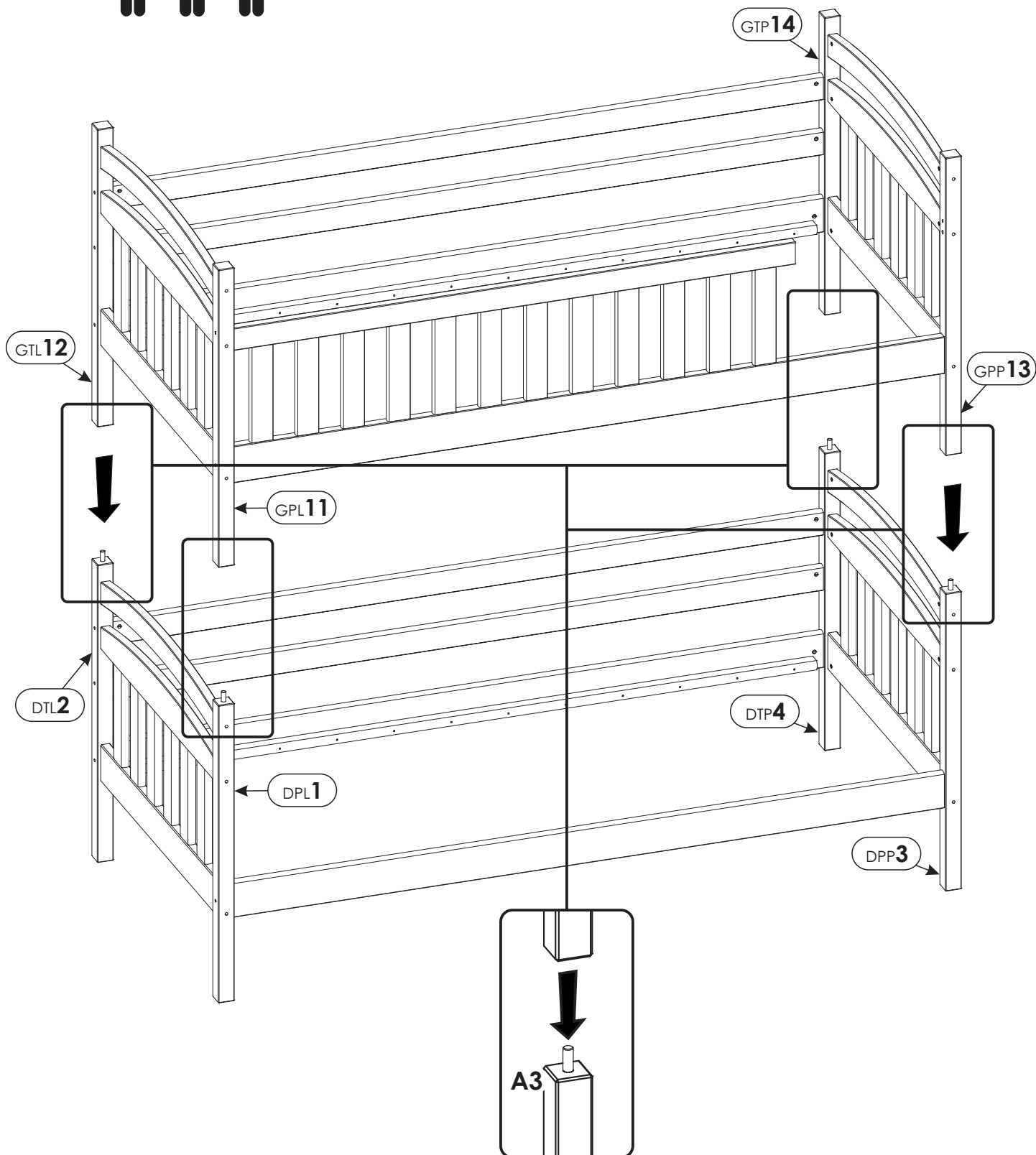


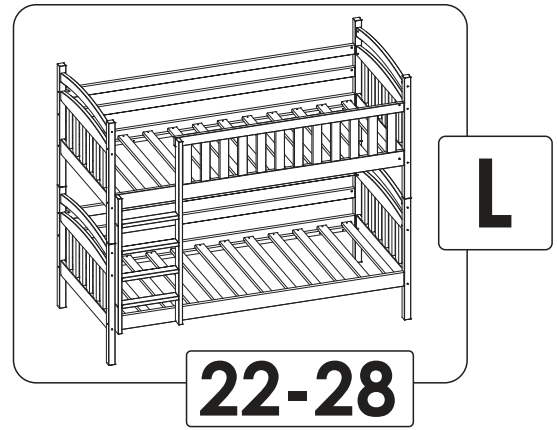
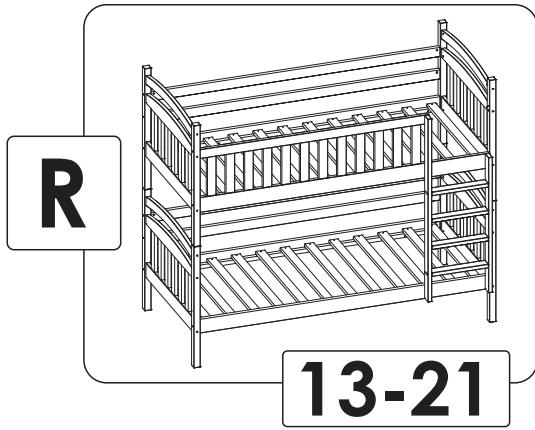
20.



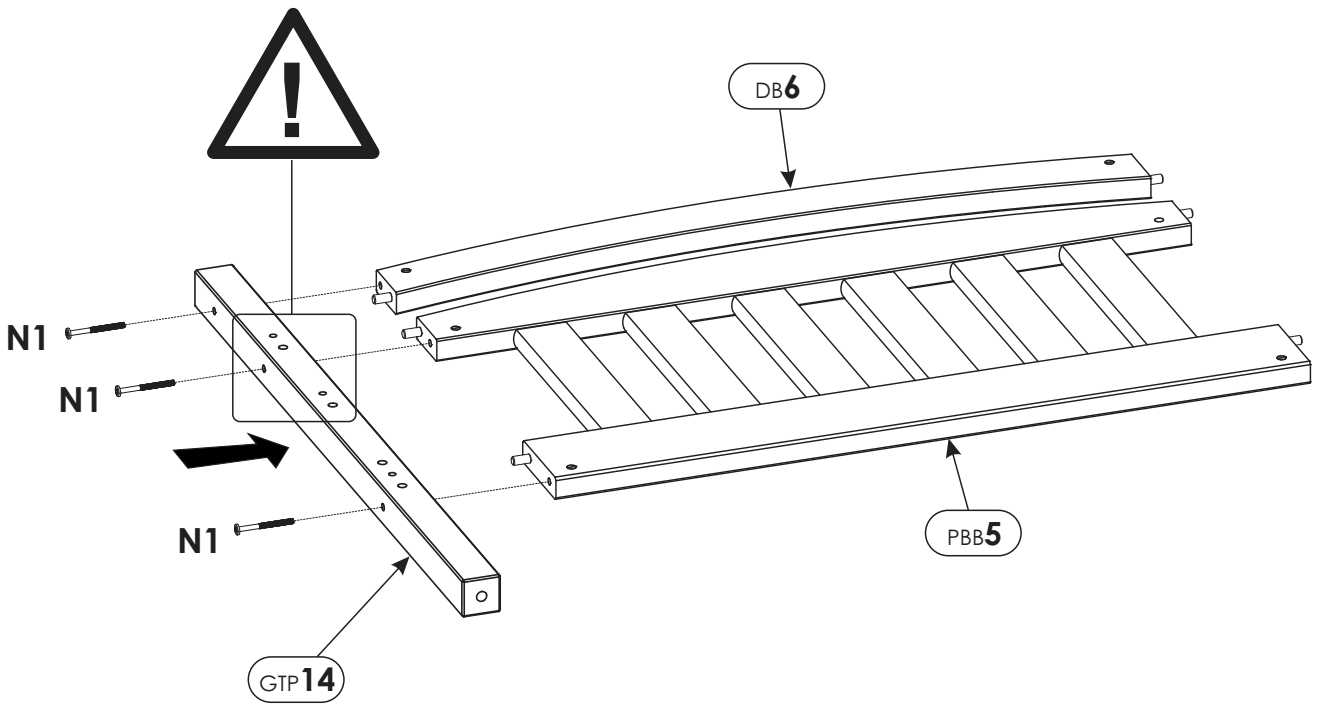


21.

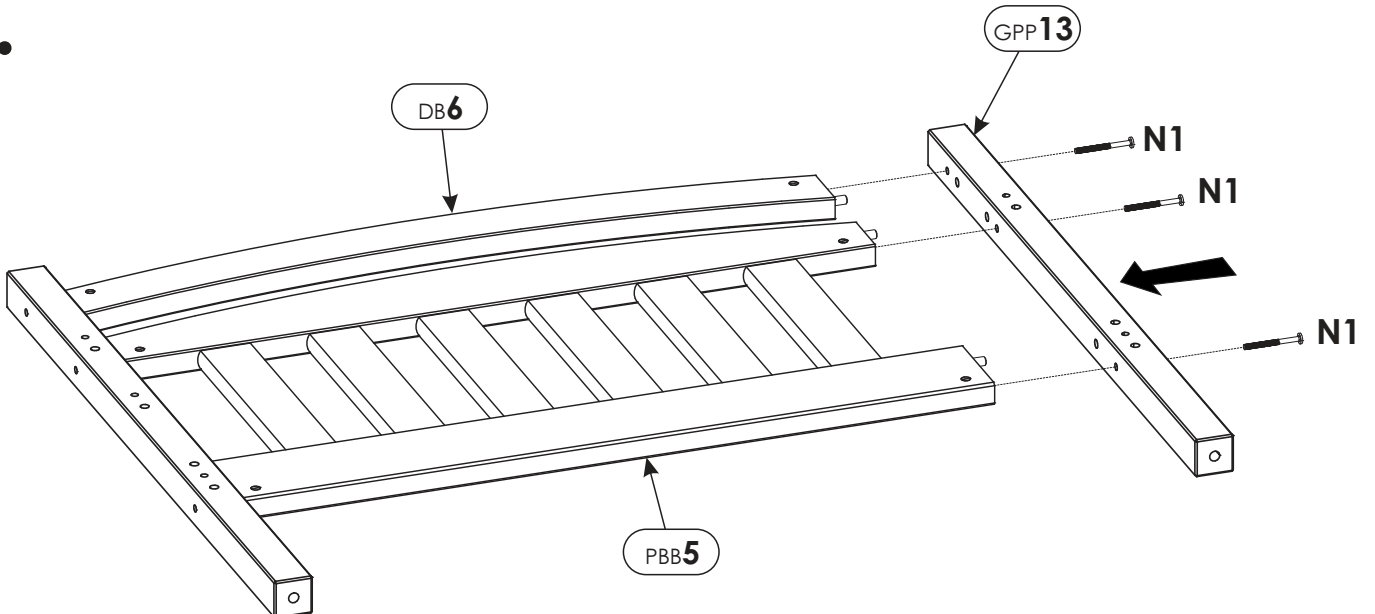




**22.**

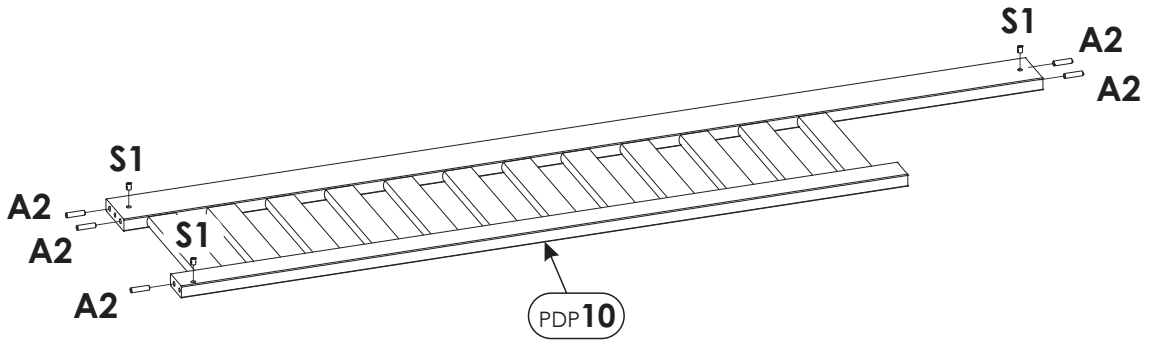


**23.**

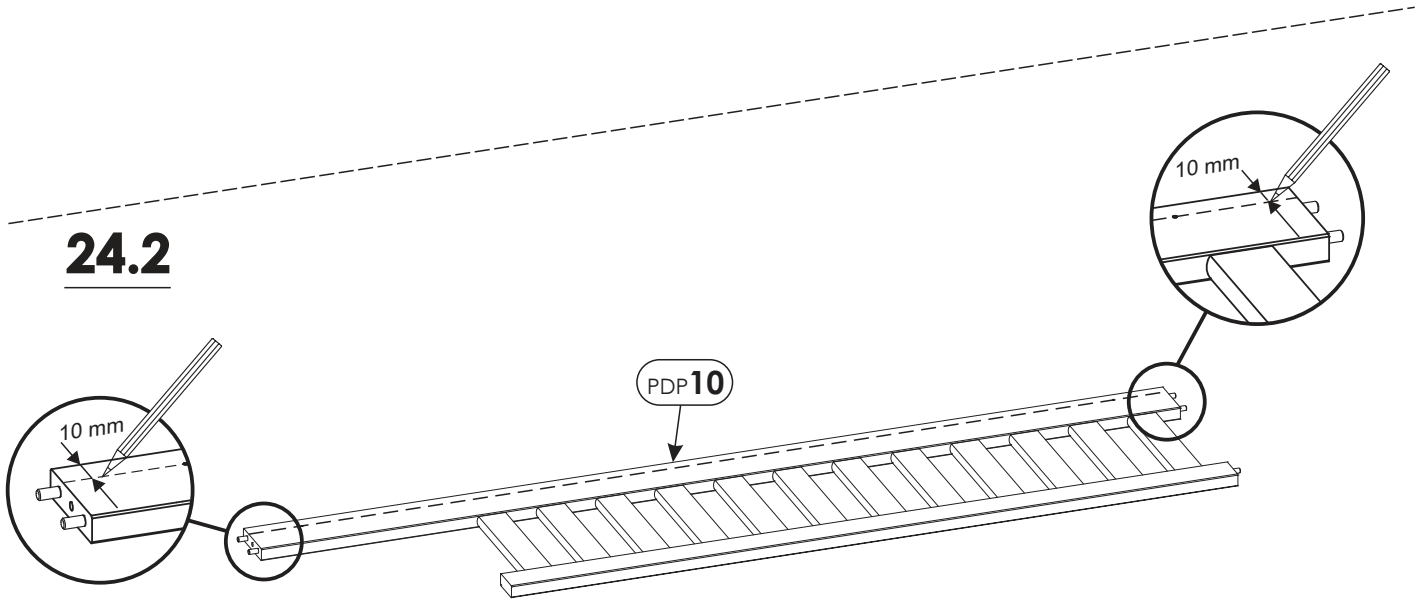


# 24.

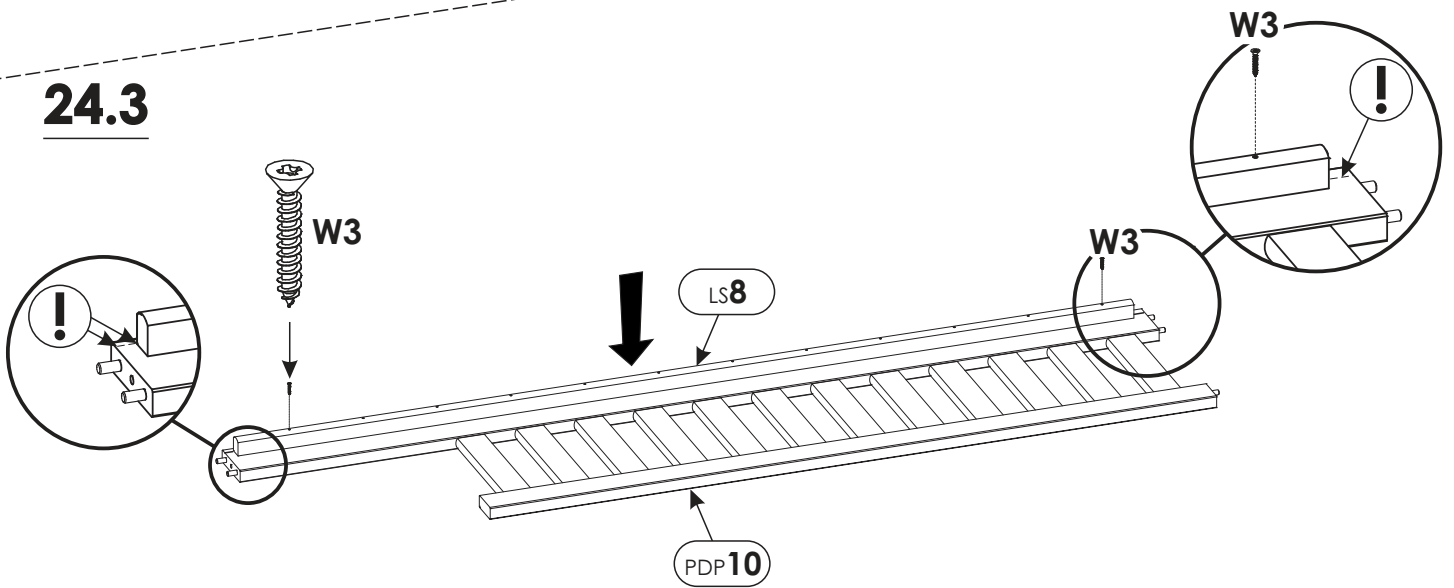
## 24.1



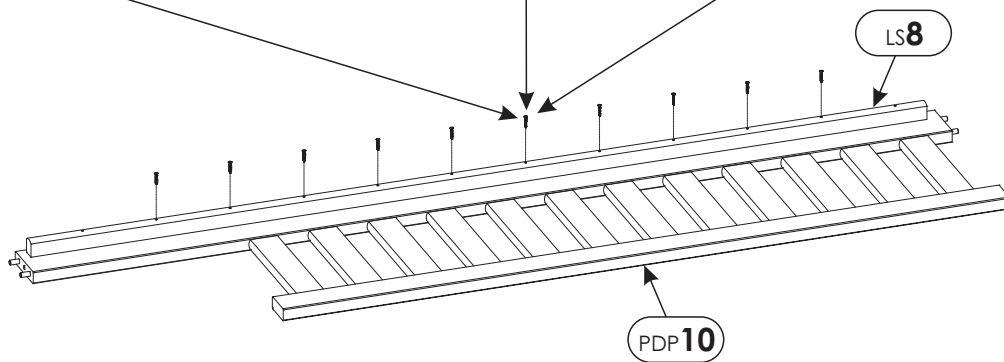
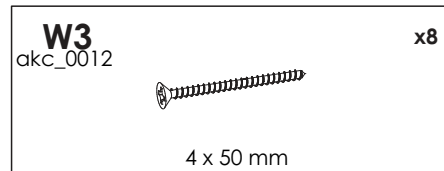
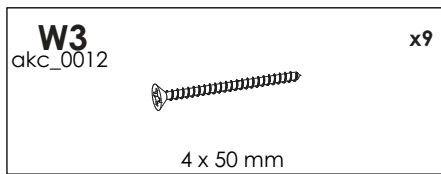
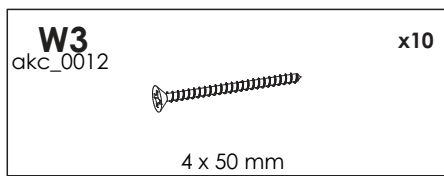
## 24.2



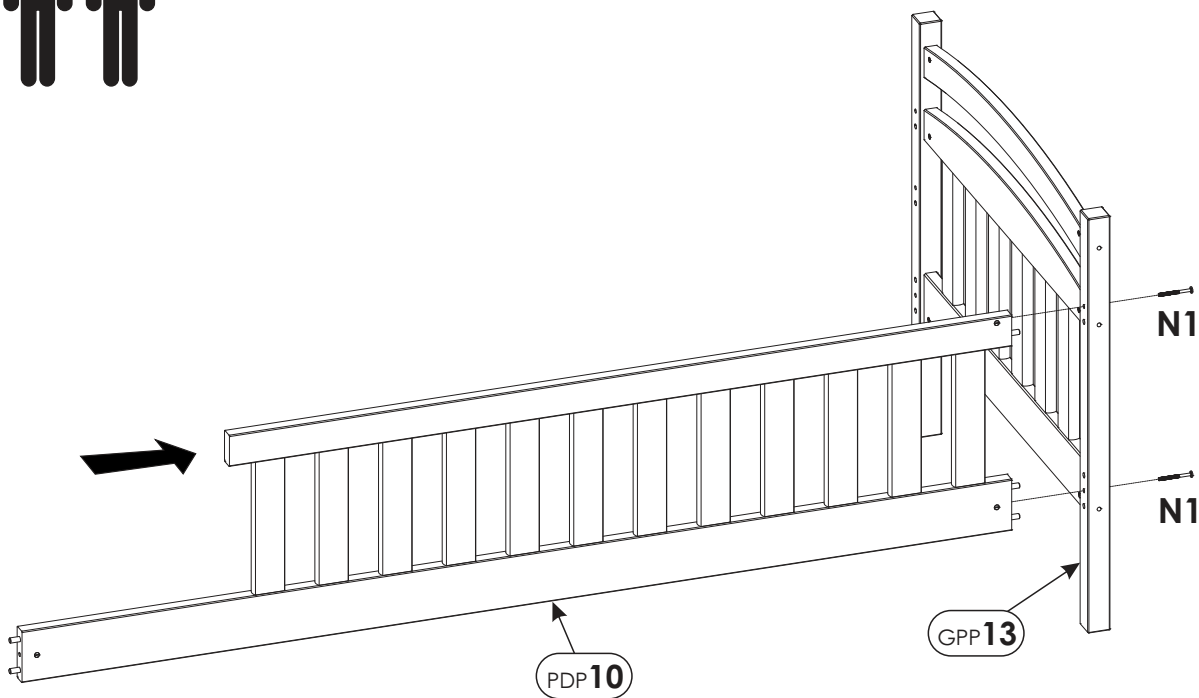
## 24.3



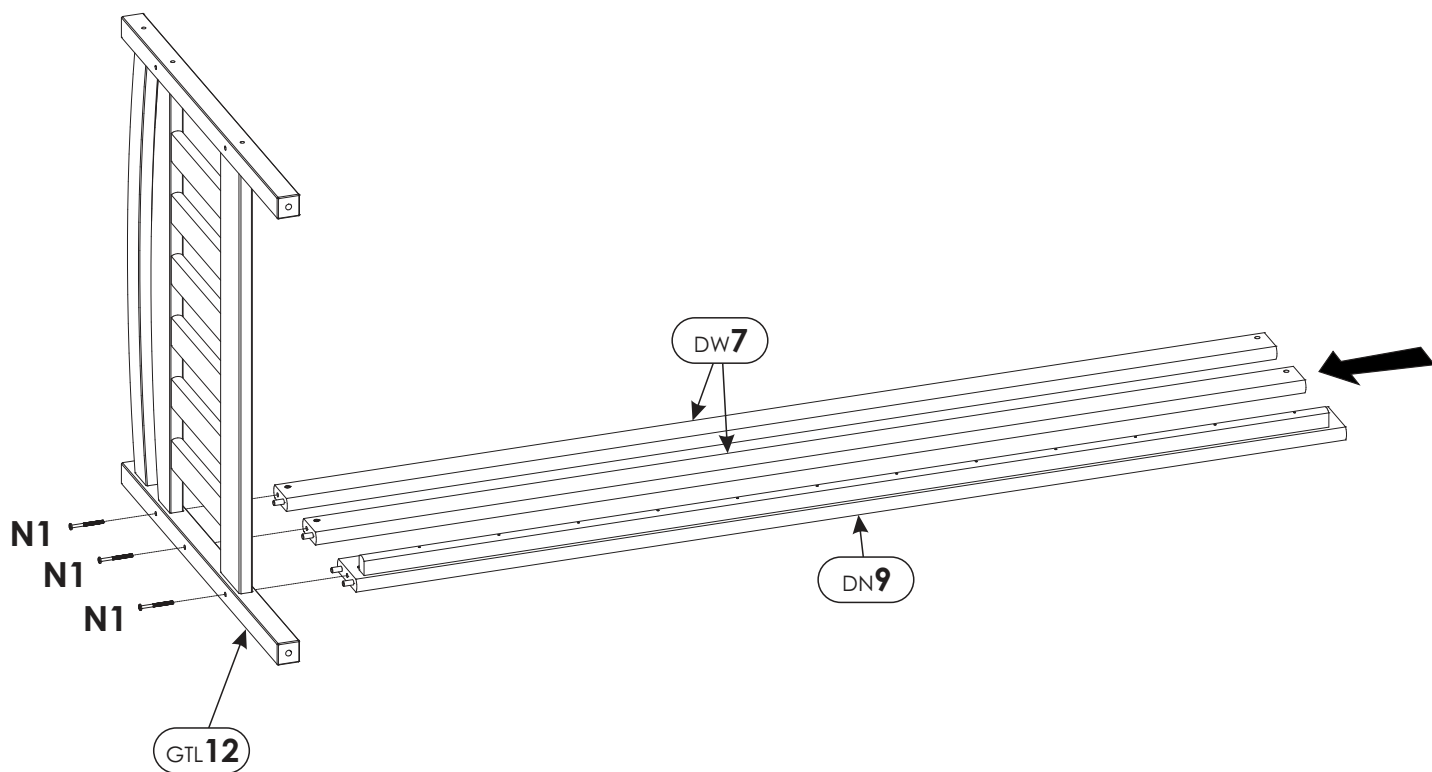
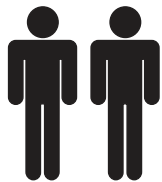
# 24.4



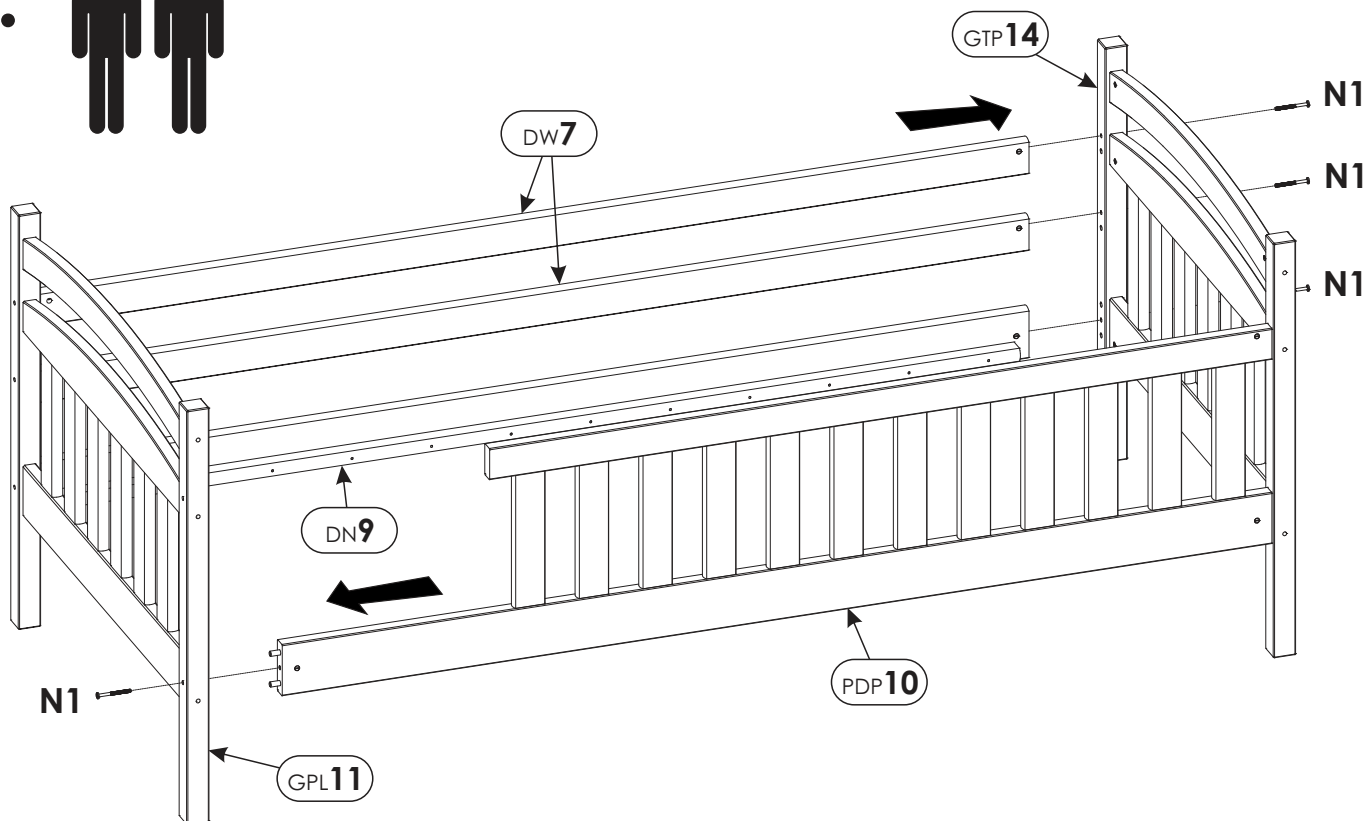
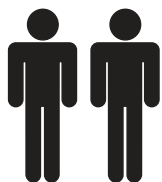
# 25.



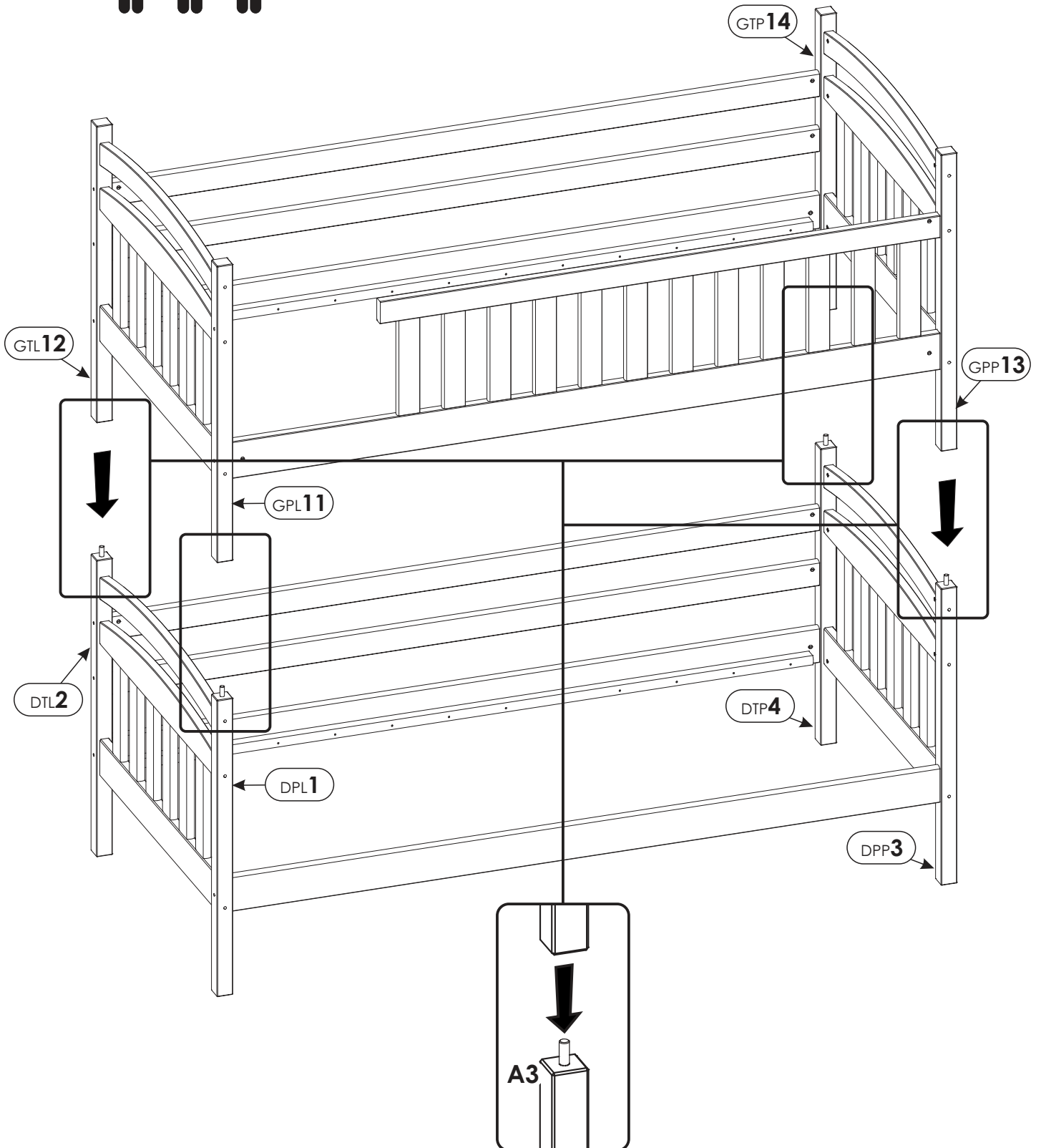
# 26.



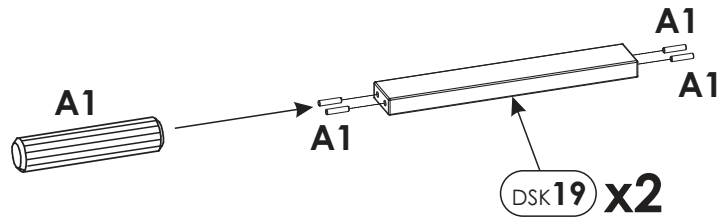
# 27.



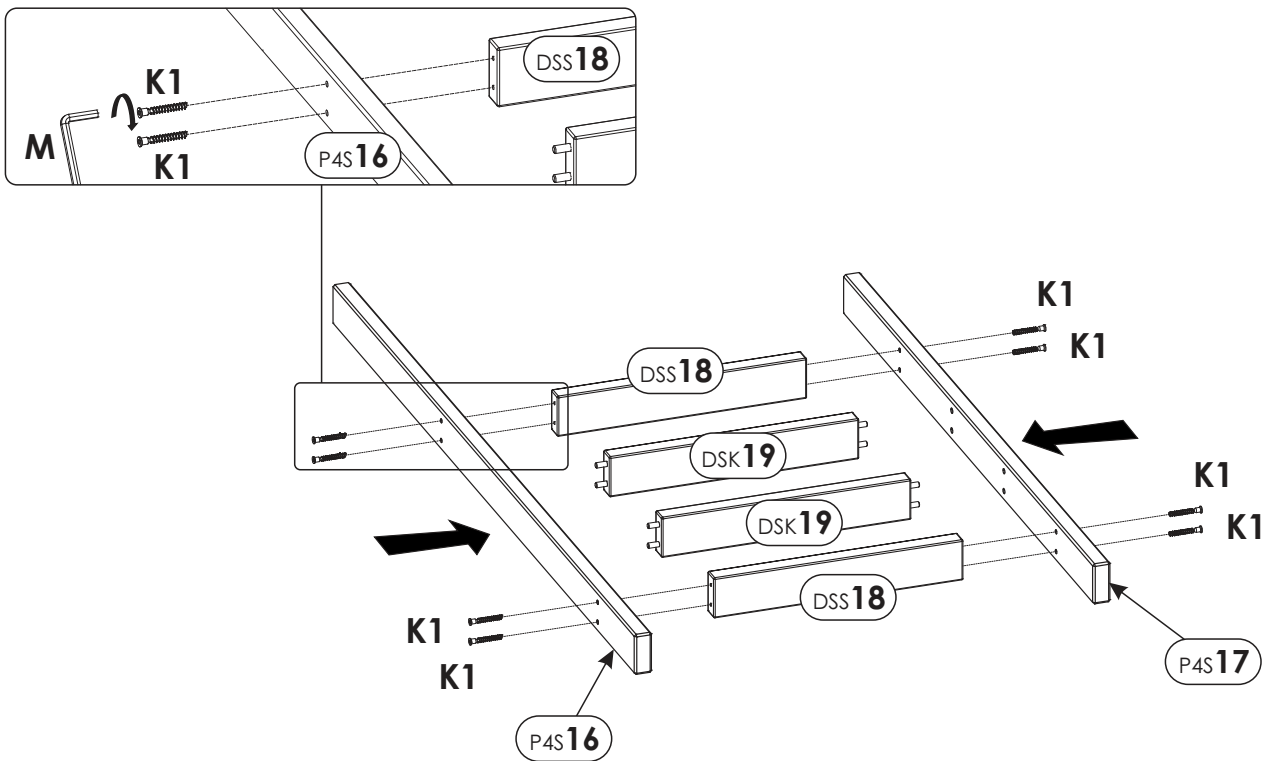
28.

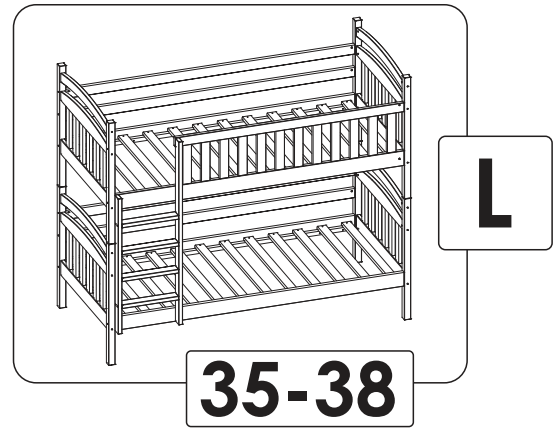
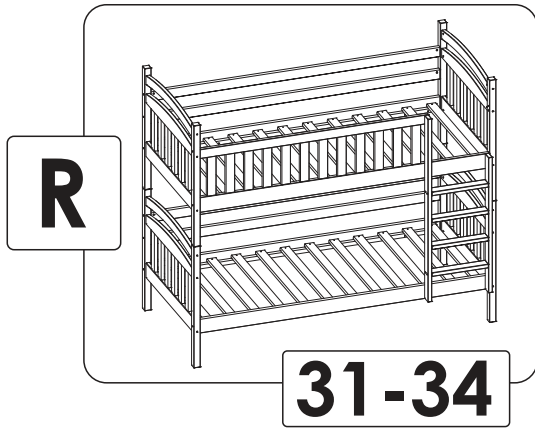


# 29.

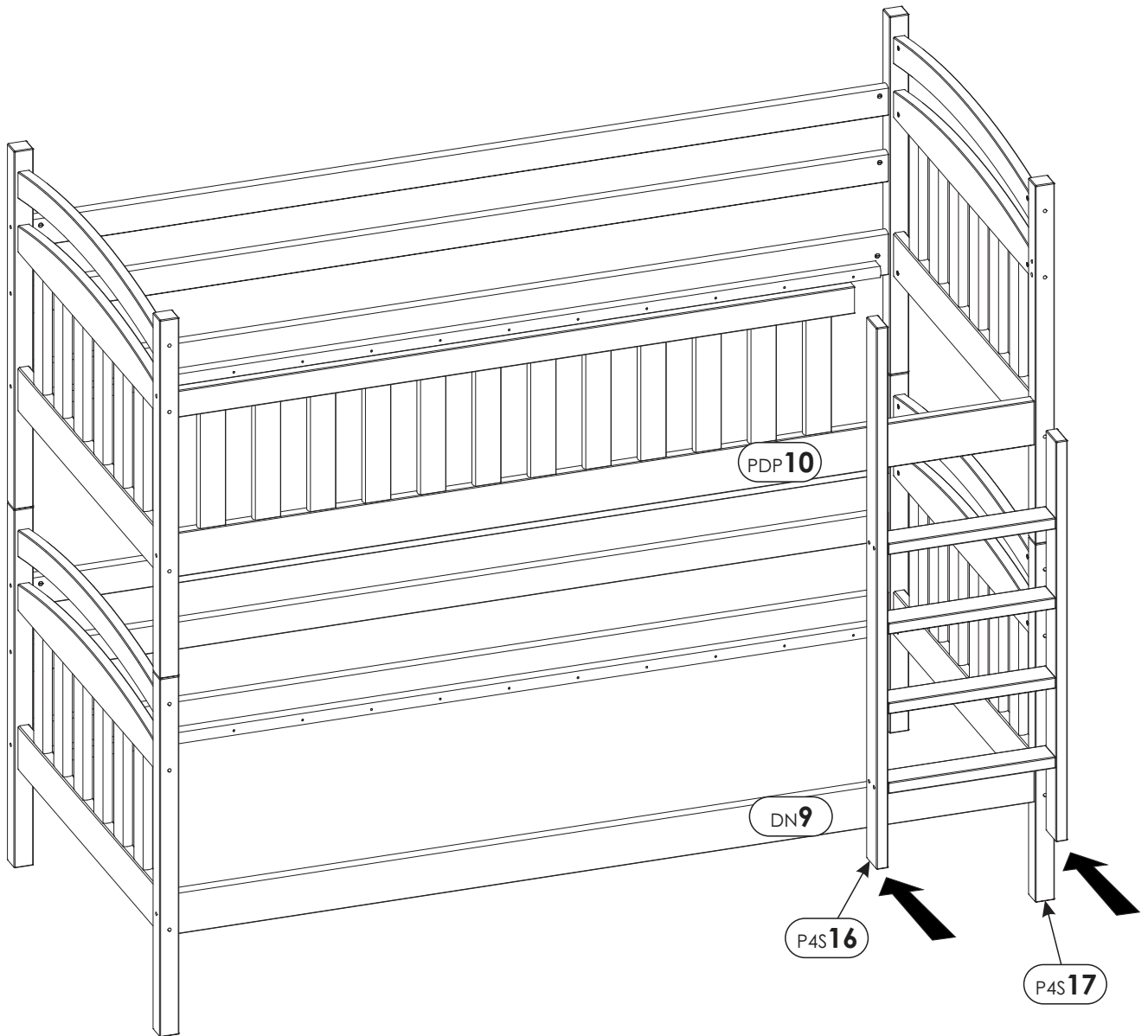


# 30.



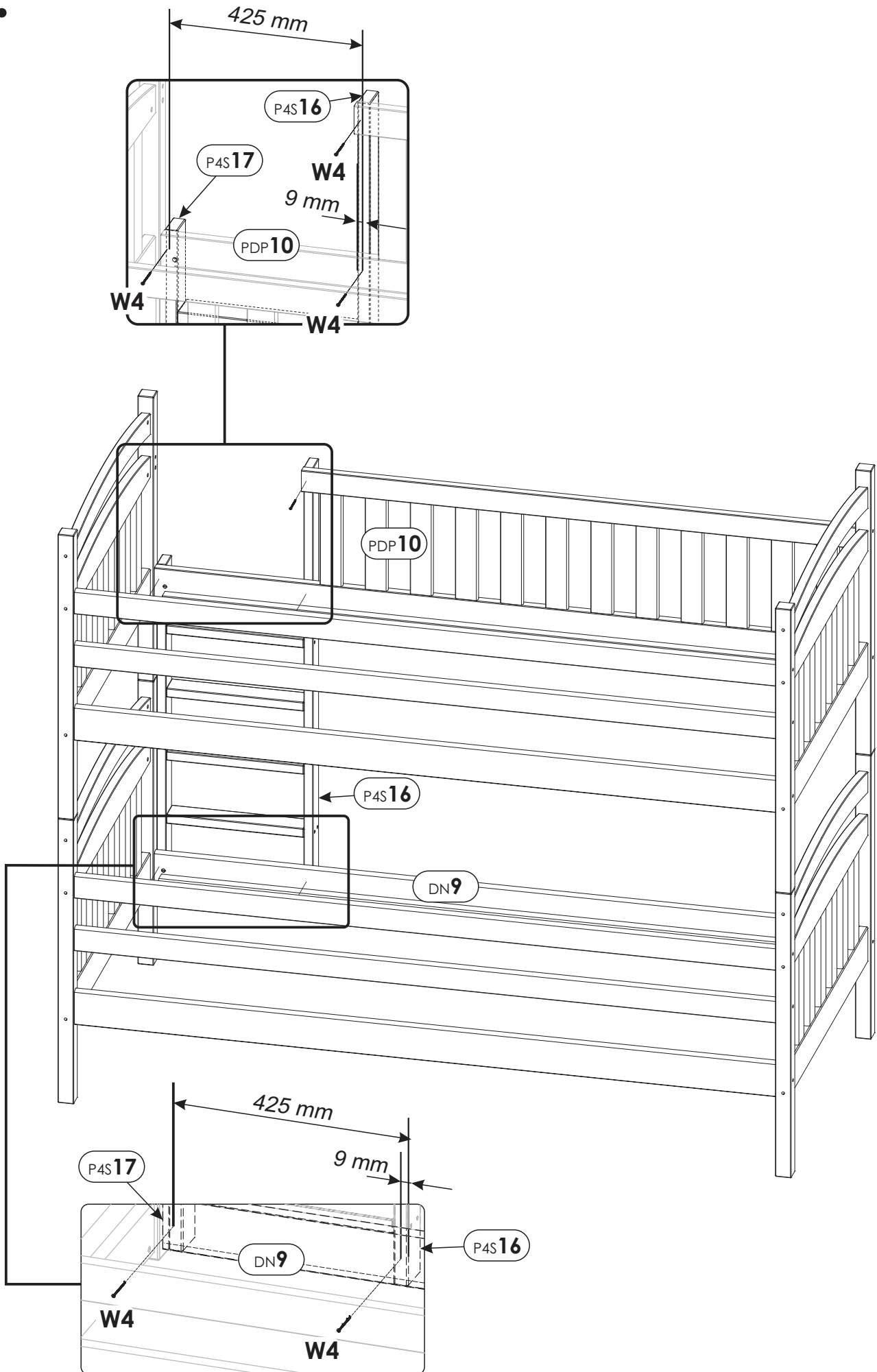


**31.**

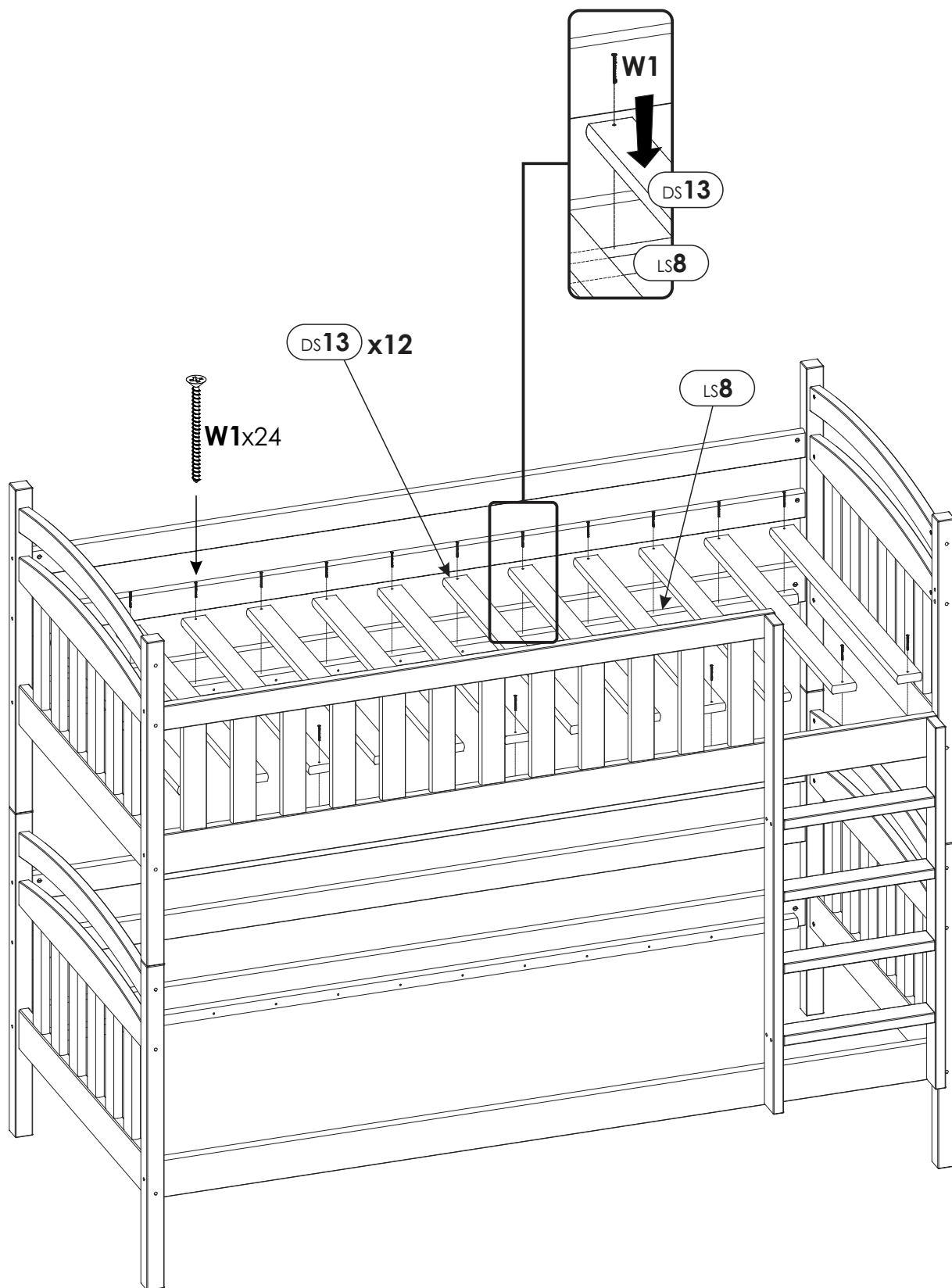




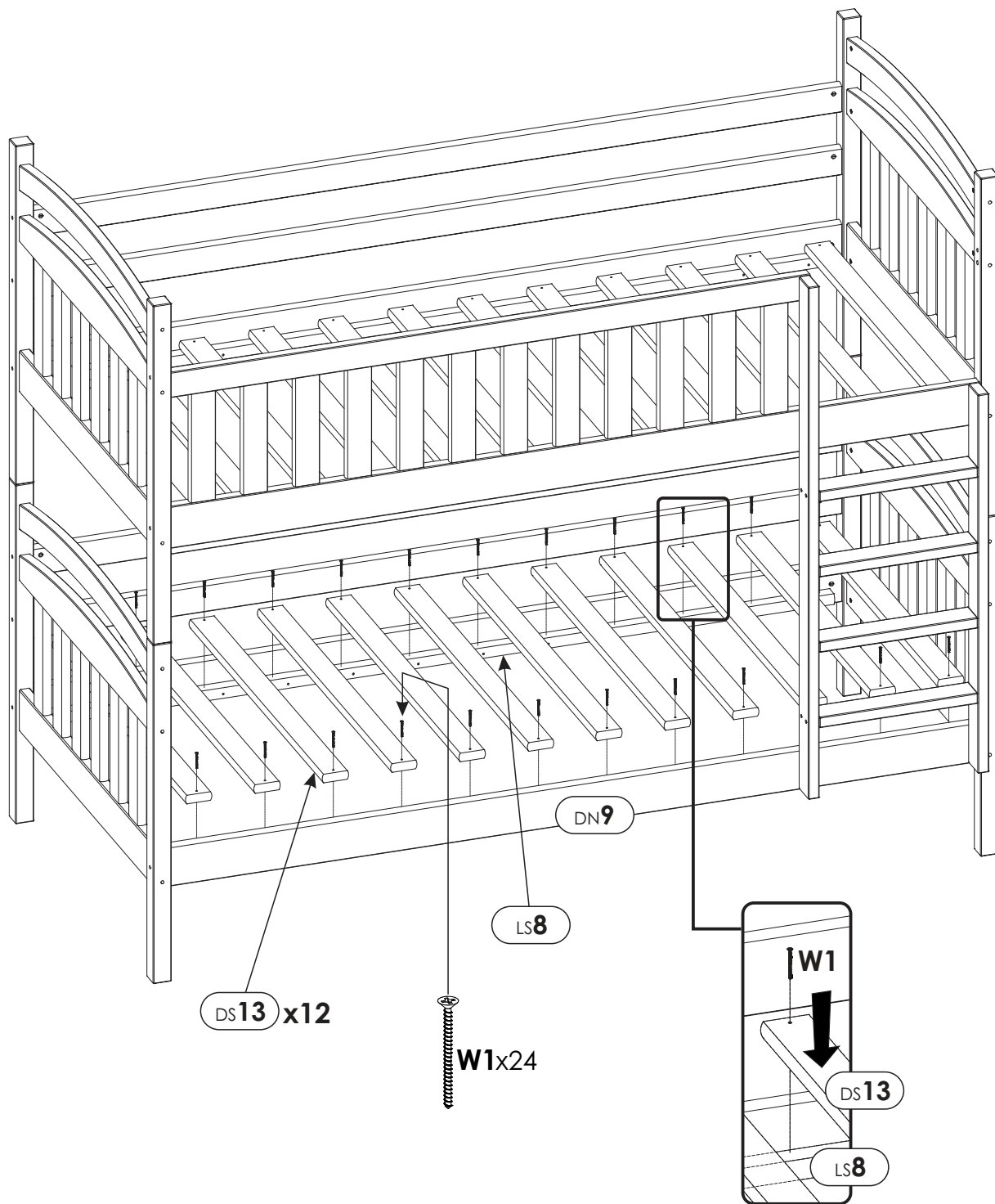
# 32.

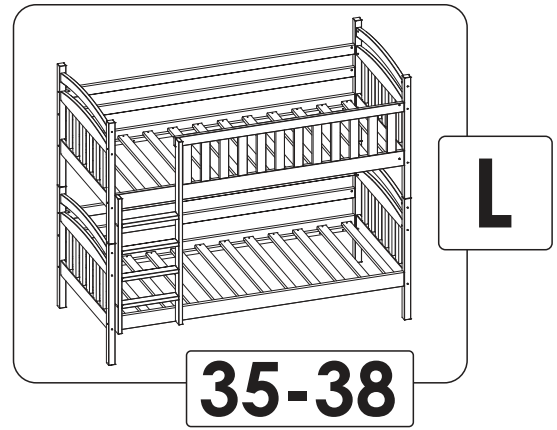
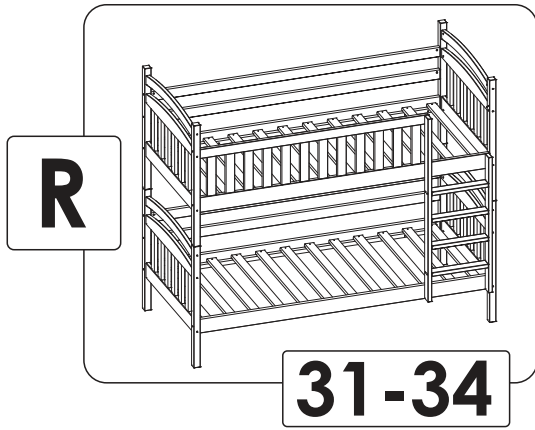


33.

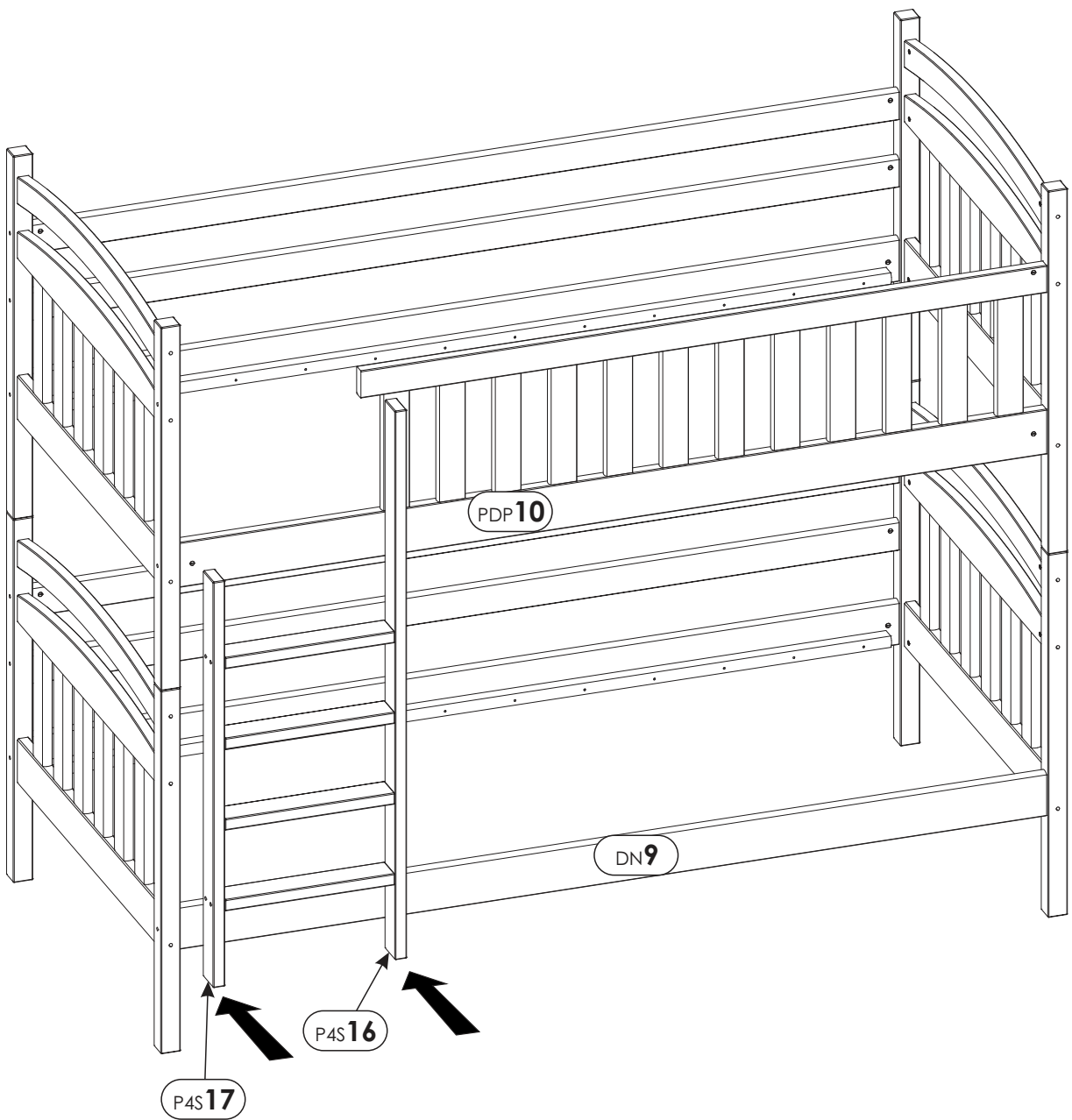


34.

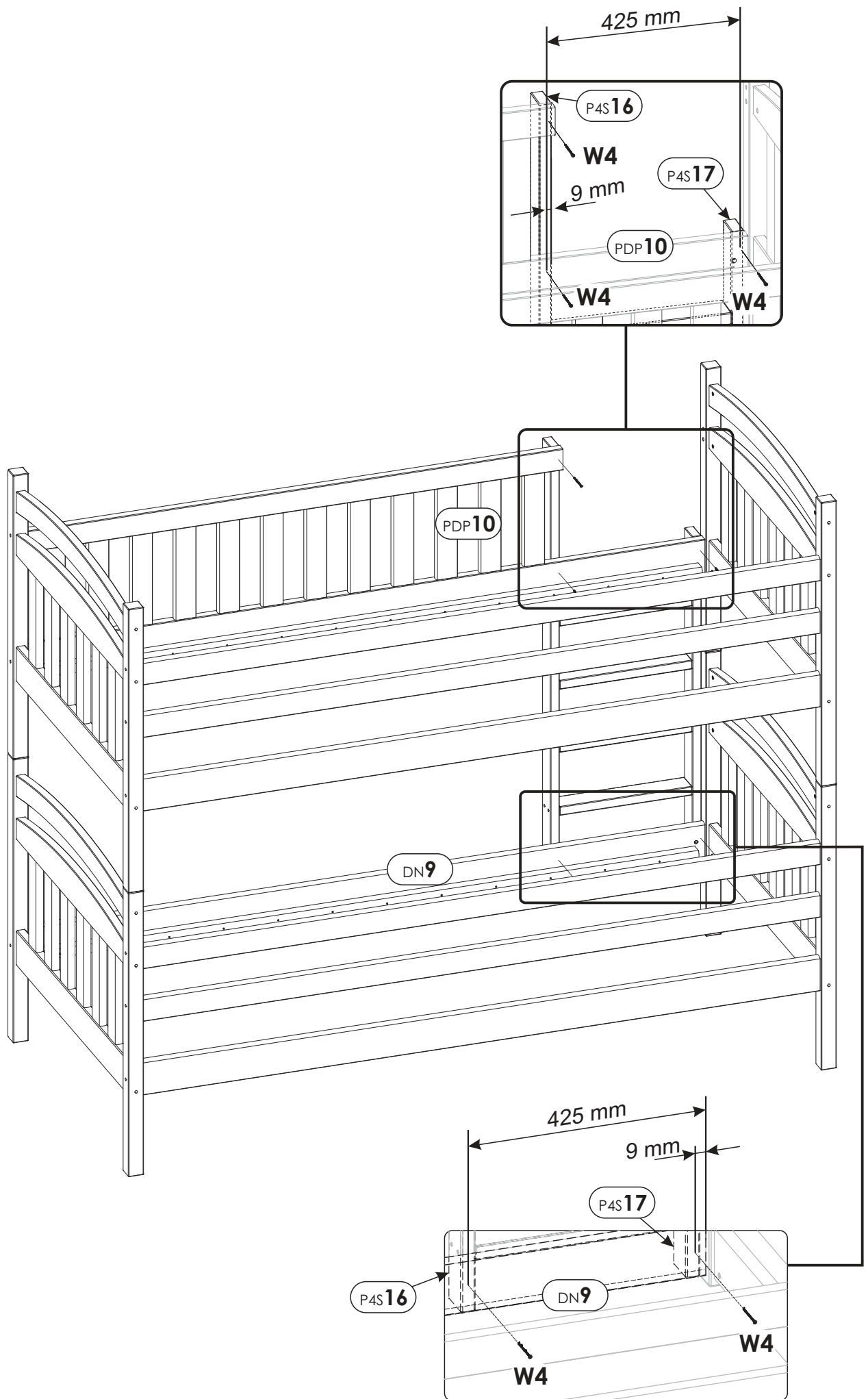




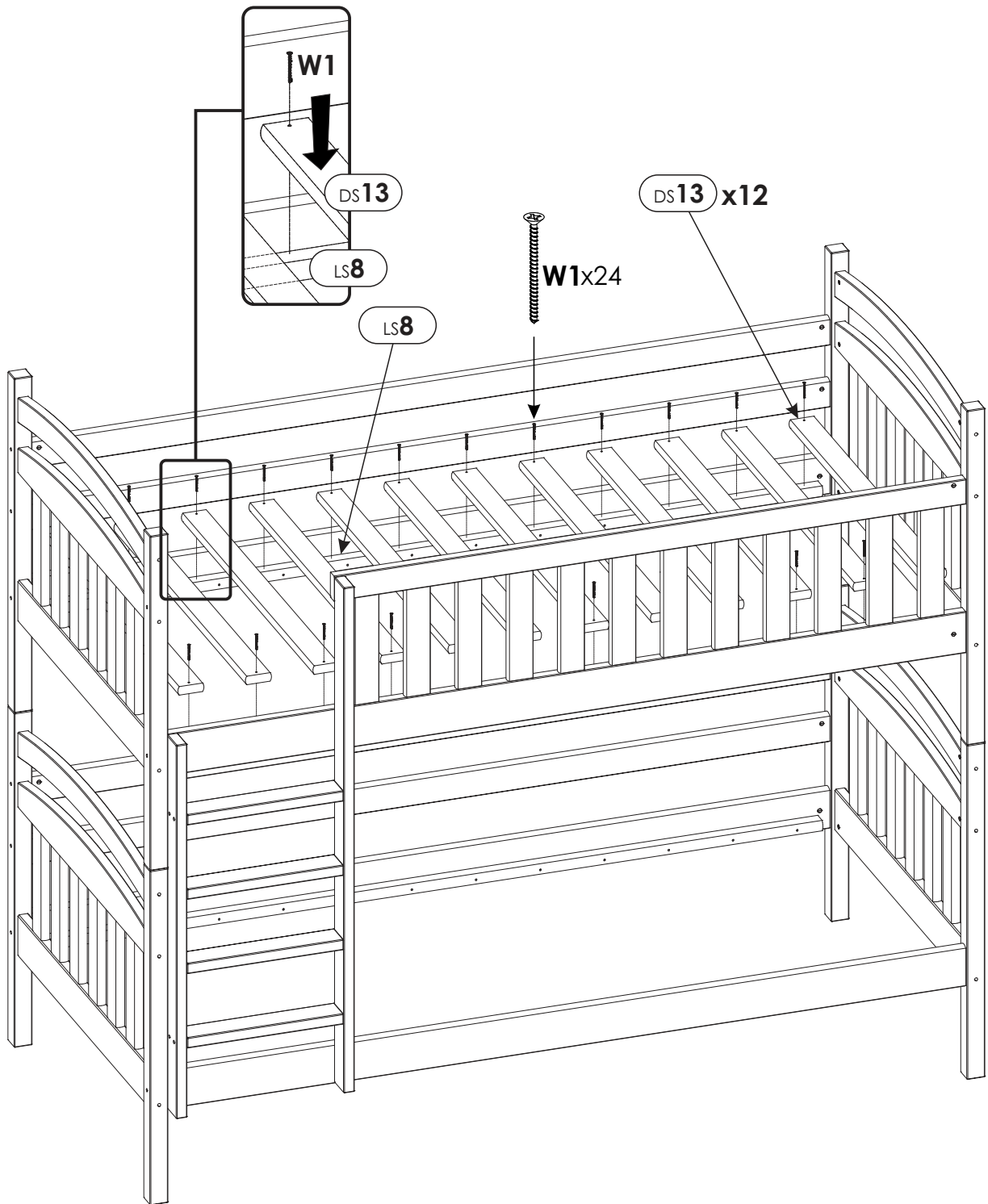
**35.**



36.



37.



38.

